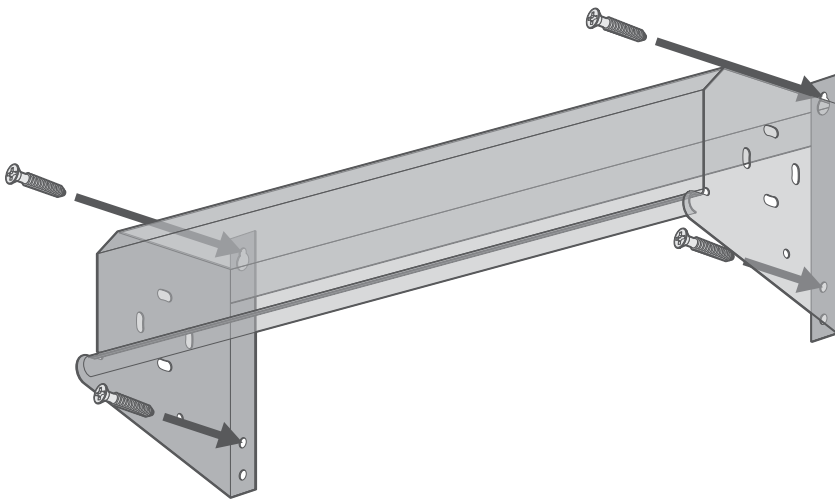


**Mount the cassette**

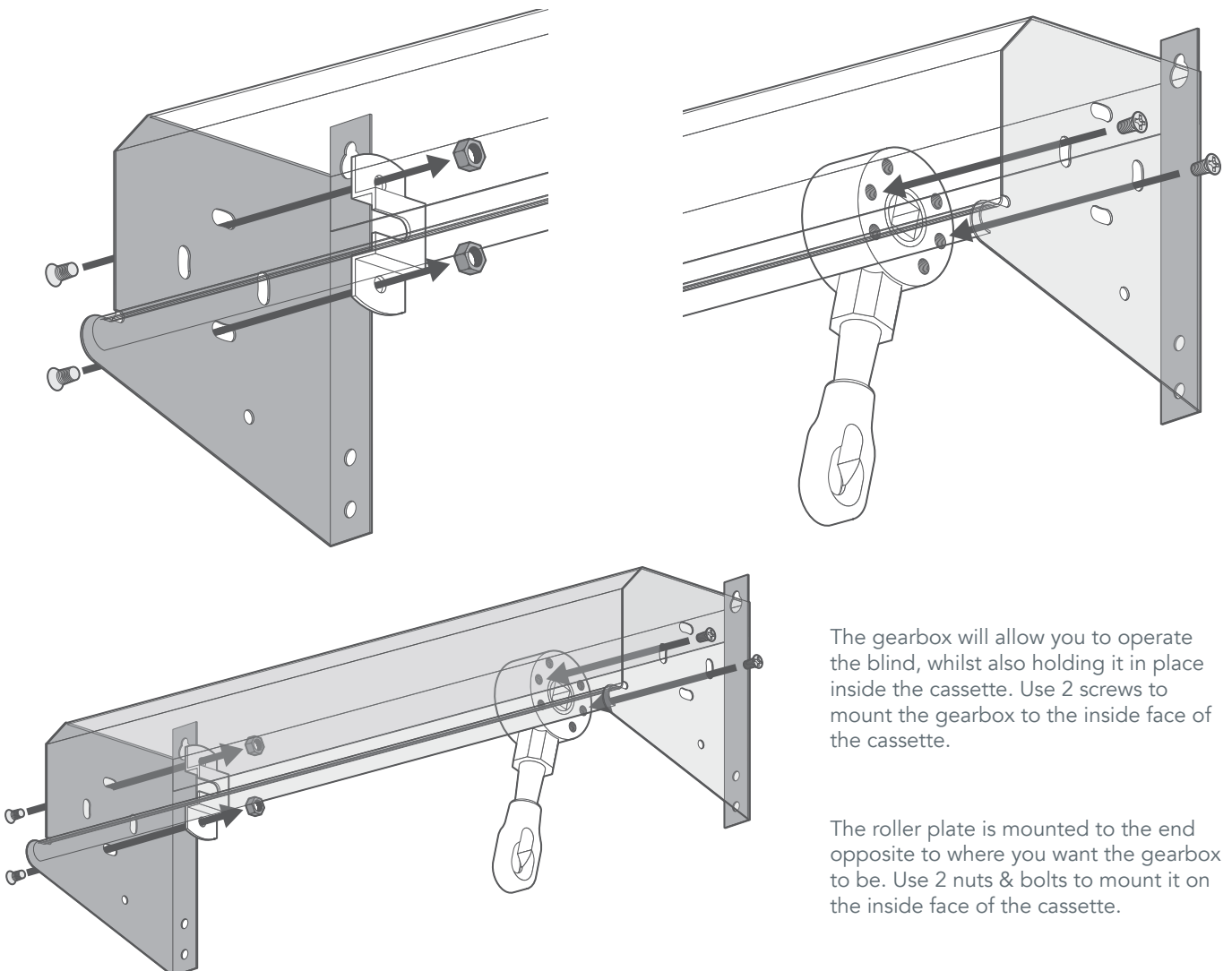
**1**



Use 4 screws to mount the cassette to the wall above the window. The cassette will be the 'cover' for the blind.

**Attach the roller plate & gearbox**

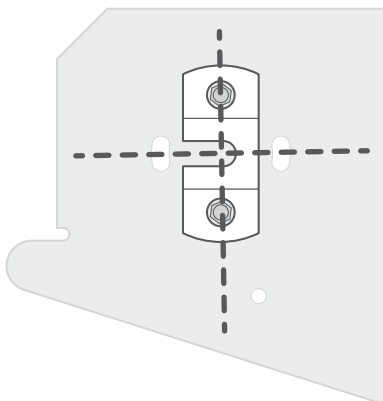
**2**



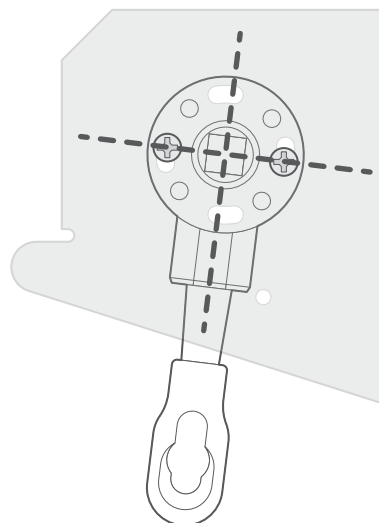
The gearbox will allow you to operate the blind, whilst also holding it in place inside the cassette. Use 2 screws to mount the gearbox to the inside face of the cassette.

The roller plate is mounted to the end opposite to where you want the gearbox to be. Use 2 nuts & bolts to mount it on the inside face of the cassette.

Mount the roller plate so that the central slot is angled directly forwards.



Mount the gearbox so that it is pointing slightly forwards.



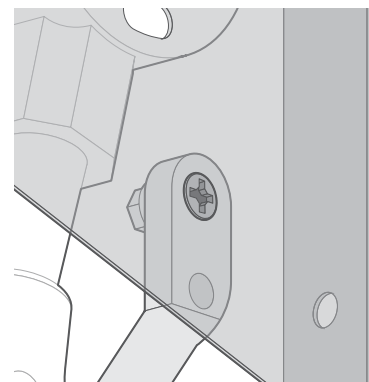
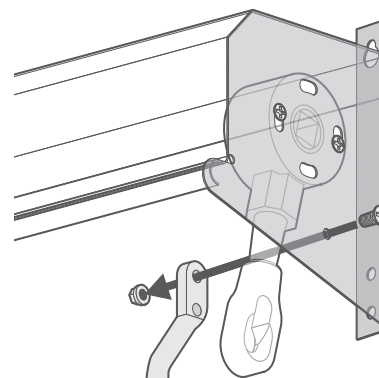
## Attach the side runners

3

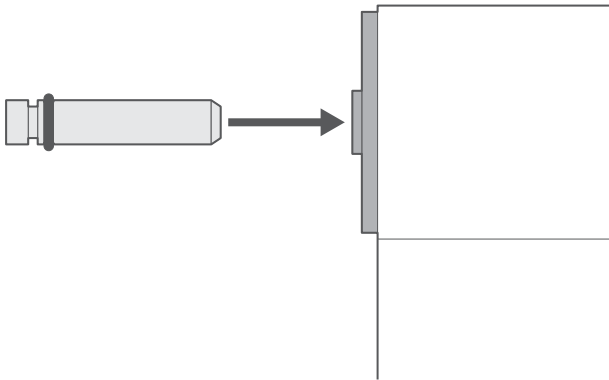
The side runners will hold the sides of the fabric to prevent it from flapping around during use or in bad weather.

Mount the side runners to the inside face of the cassette, so that they protrude in towards the centre.

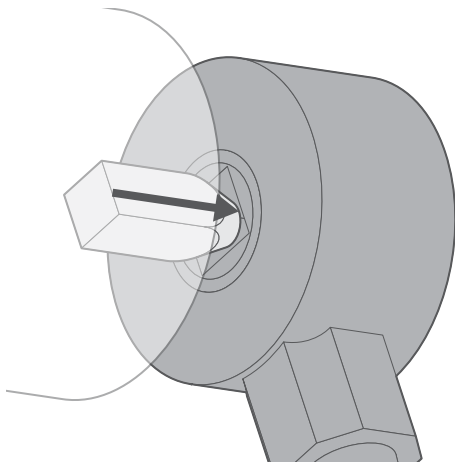
Use 1 nut & bolt per side runner to attach them to the inside face of the cassette at each end.



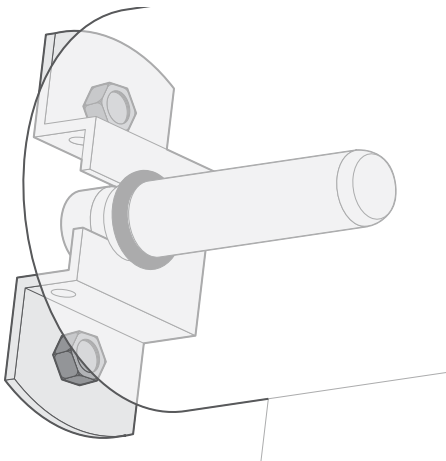
**Fit the blind**



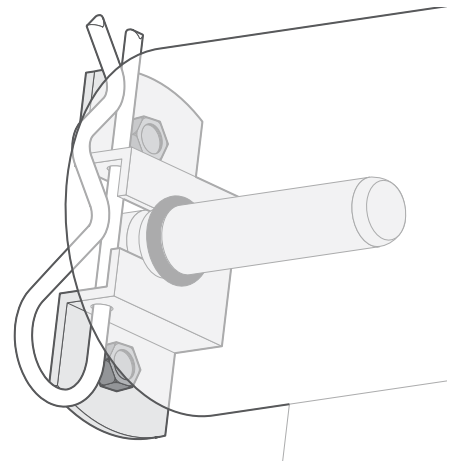
Start by inserting the roller 'pin' in the end of the blind opposite to the crank side. Note that the rubber 'O' ring on the pin should be resting inside the innermost of the two cutout sections.

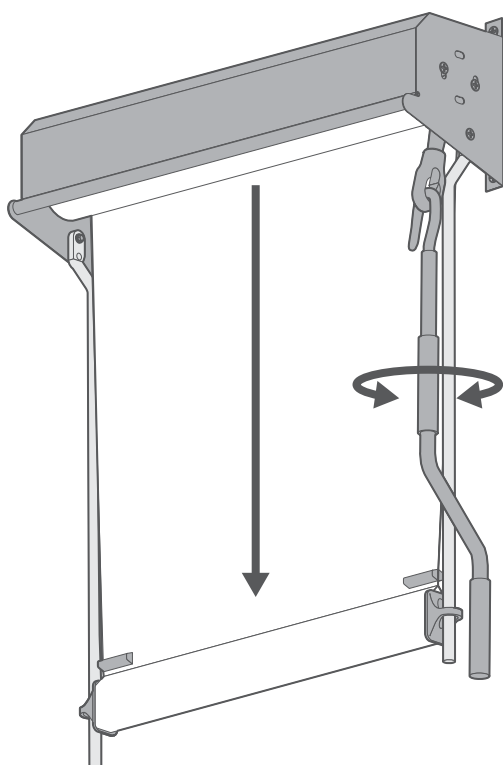


Now raise the blind up into the cassette and slot the square 'peg' on the crank side into the square slot in the crank.

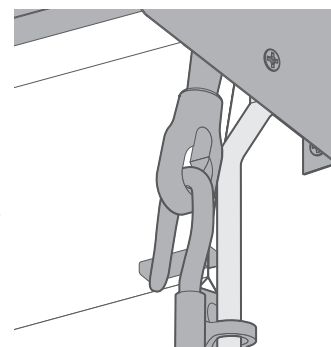


Raise the other end of the blind and slot the roller pin forward into the slot on the roller plate. Insert the R clip by pushing it up into the holes on the side of the roller plate.

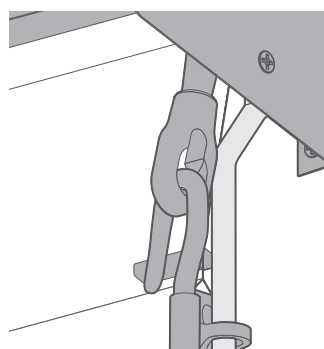
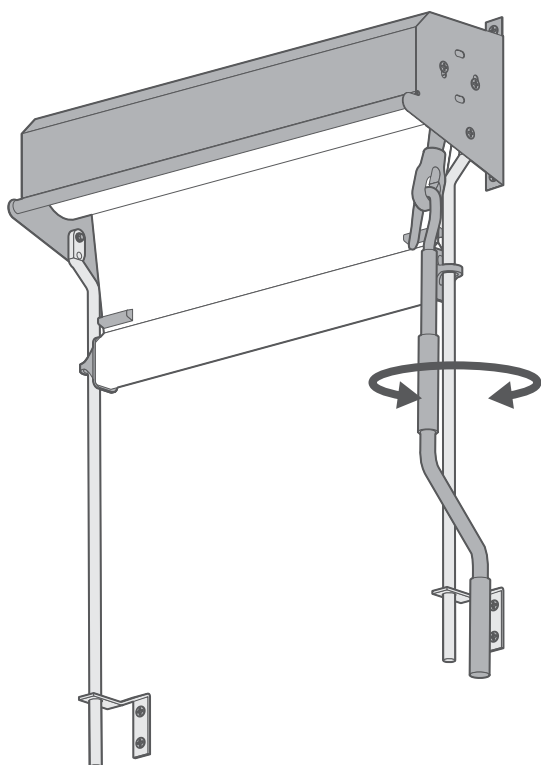
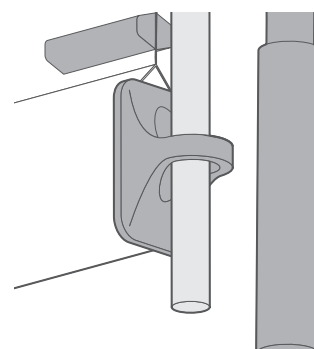




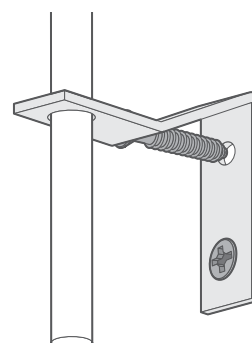
Hook the crank handle onto the gearbox and turn it to lower the blind until it's close to the bottom.



Feed the eyelets on the ends of the bottom bar up onto the ends of the side runners, then use the crank handle to raise the blind slightly.



To raise or lower the blind simply rotate the crank handle.



Feed the L-brackets onto the bottom of the side runners and fix them in place with 2 screws each.

### Top Tip

For orders containing 1 to 3 blinds, 1 crank handle will be supplied. For orders containing 4 or more blinds, 2 crank handles will be supplied. **We recommend removing the crank handle from any blinds whilst not in use.**

