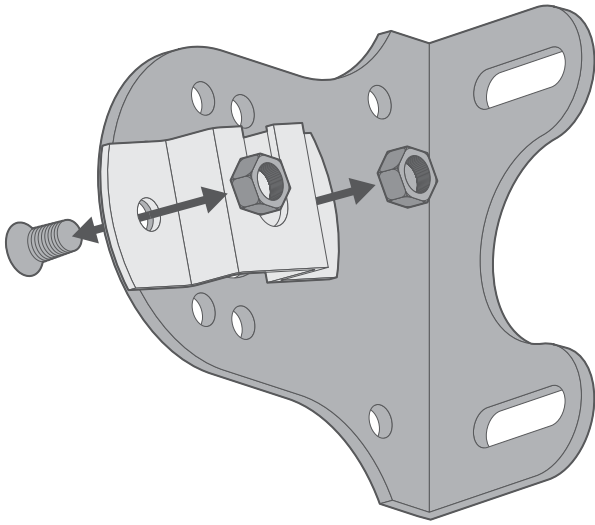
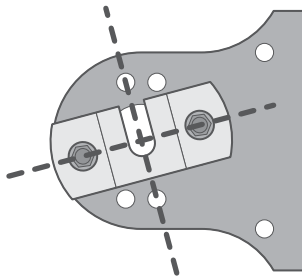


#### Assemble the brackets

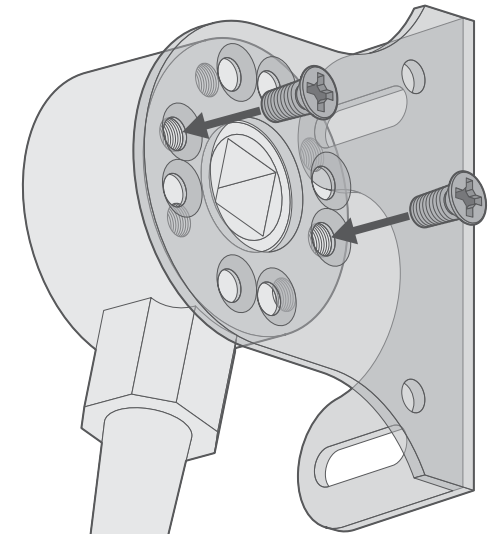
1



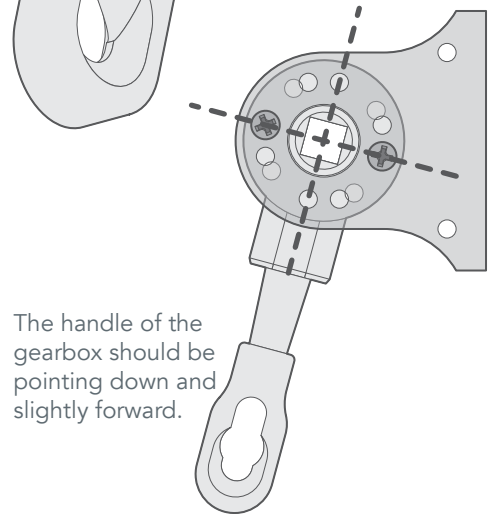
Start by fixing the roller plate to the bracket opposite to the control end. Use 2x nuts & bolts to attach the plate to the inside face of the bracket.



The cutout in the centre of the plate should be pointing up and slightly forward.



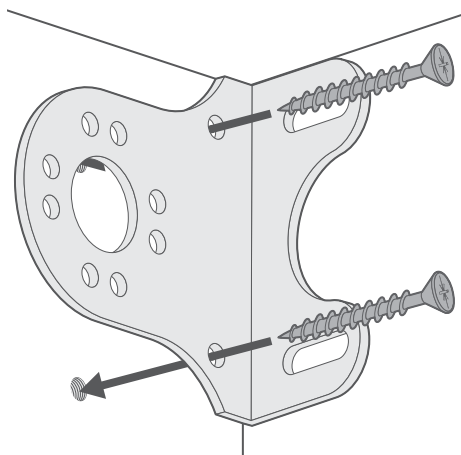
Use 2x screws to fix the gearbox to the inside face of the other bracket.



The handle of the gearbox should be pointing down and slightly forward.

**Install the brackets**

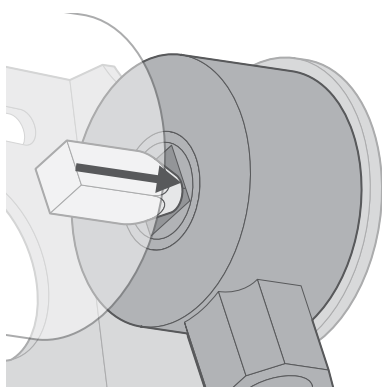
**2**



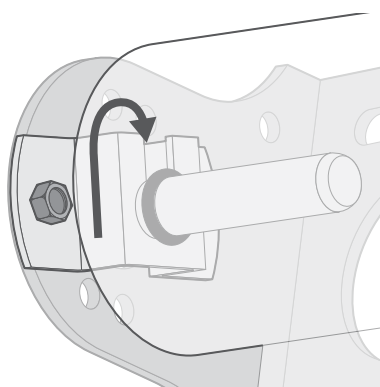
Use 2x screws and plugs per bracket, to side-fix the brackets to the inside face of the recess.

**Install the blind**

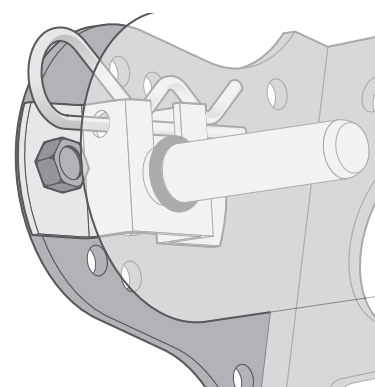
**3**



Lift the blind to the brackets and slot the square peg on one end of the blind into the corresponding hole in the gearbox.

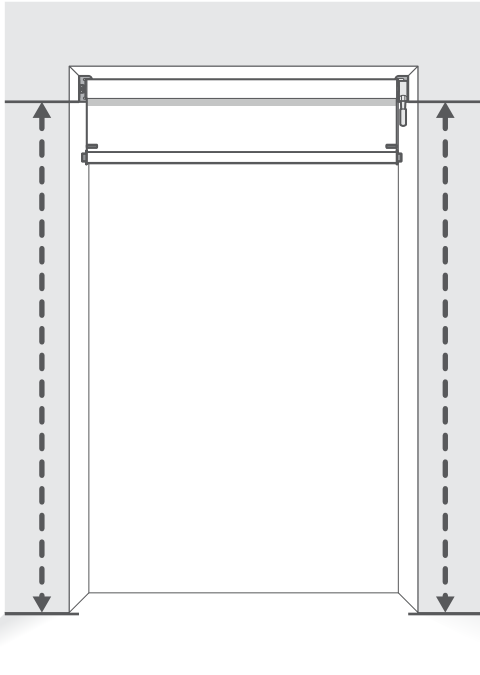


Slot the roller pin into the end of the roller, then raise that end and drop the groove of the roller pin into the cutout in the roller plate.

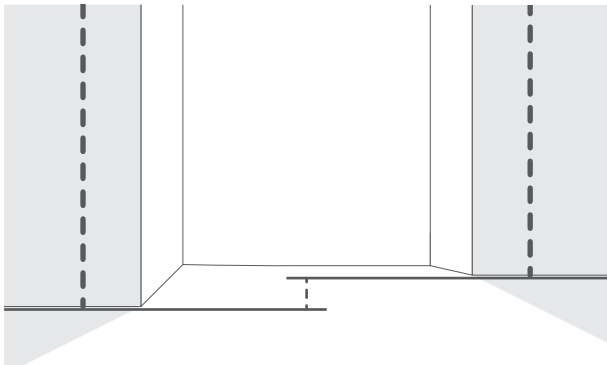
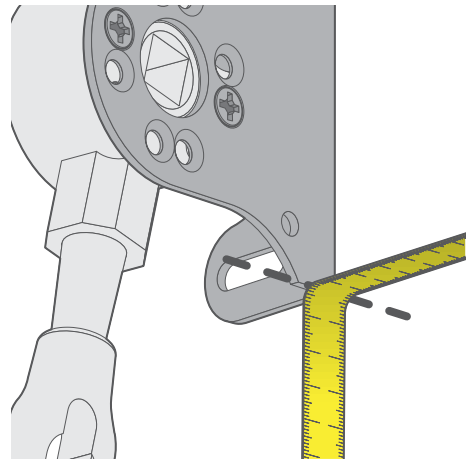


Secure the blind by slotting the R pin through the roller plate.

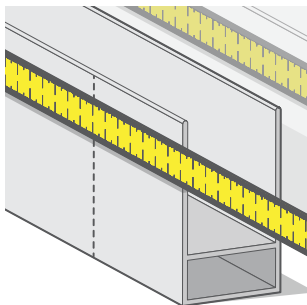
**Measure and trim the side channels**



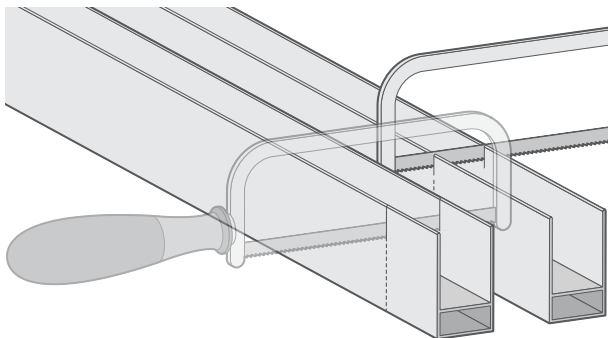
The side channels are provided to you longer than the drop you ordered, so that they can be trimmed to the perfect length. Measure for this by measuring up from the ground to the lowest edge of the brackets.



Make sure you measure each side separately, as the ground may be uneven, making one side higher than the other. Make a note of each length measurement.



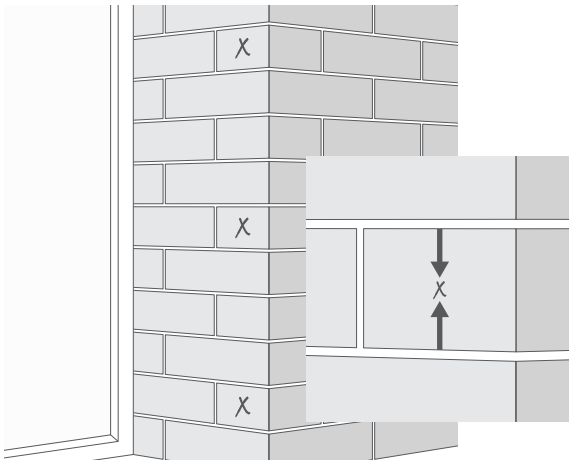
Mark the measurements out on the side channels, being sure to mark the correct channel with each.



Use a fine-tooth saw to neatly cut through each channel where you made your marks.

**Install the side channels**

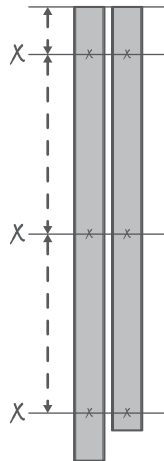
**5**



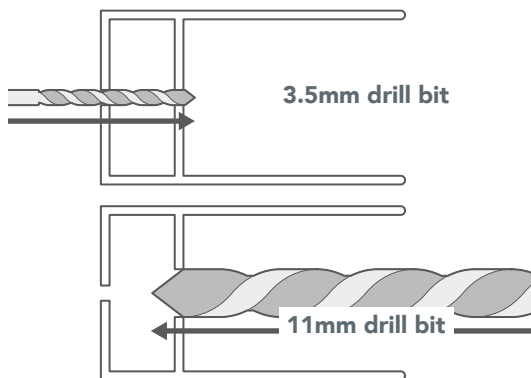
When you install the side channels you should really try to make sure you're screwing them into brick, not into the mortar between the bricks.

Find a solid location roughly 100mm down from where the top of the channel will be and make your first mark there. Measure roughly the same distance up from the ground and make the lowest mark there. Make a third mark roughly central between the two others.

What's most important is that the marks line up close to the centre of a brick, to provide the strongest hold possible once the channels are installed. Make a note of the distance between each mark, starting at the top of the channel and finishing at the ground.



Take these measurements and make matching marks on the insides of your side channels, being as accurate as possible with your measurements.



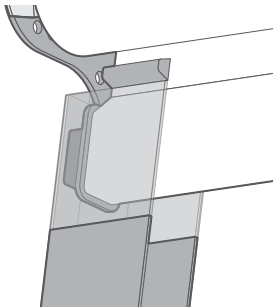
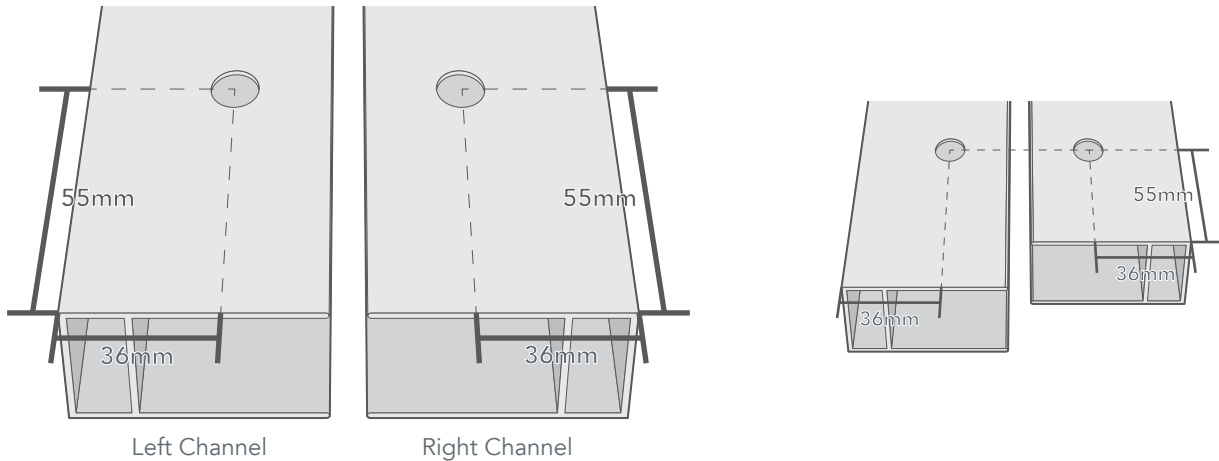
Now, drill a hole through the side channels at each mark.

Use a small (3.5mm) drill bit to drill through the channel. Drill right through both the outside and inside surfaces of the channel.

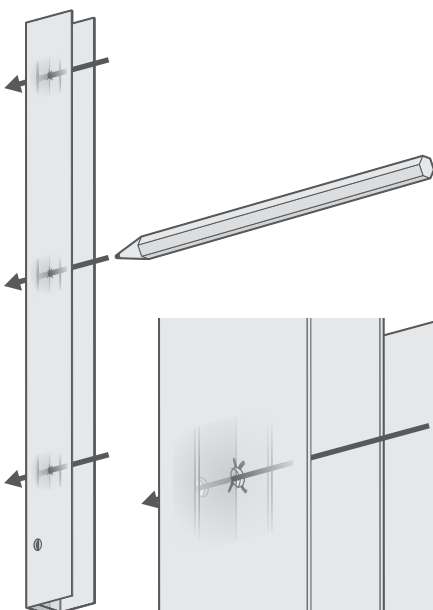
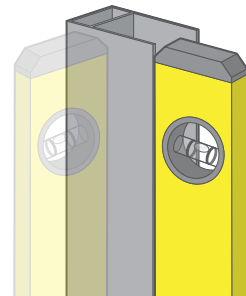
Then, use a larger (11mm) drill bit to widen the hole on the inside of the channel only.

Flip the channels onto their sides and drill a hole through the side of each, right the way through one side and out the other.

The hole should be roughly 11mm in diameter, and the centre of the hole should be 36mm in from the side of the channel and 55mm up from the bottom. The hole on one channel needs to be in line horizontally with the hole on the other channel, so if your channels are uneven lengths then mark out the measurements on the shorter channel first so that you can use it as a guide.



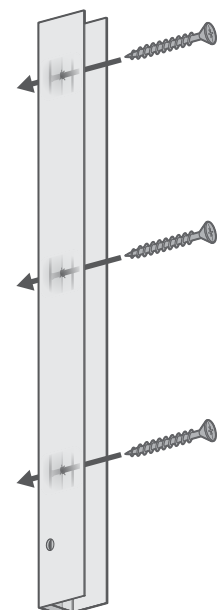
Take the side channels and feed the caps on the blind's bottom bar into the tops of the channels. Hold the channels in position and check them with a spirit level to make sure everything's straight.

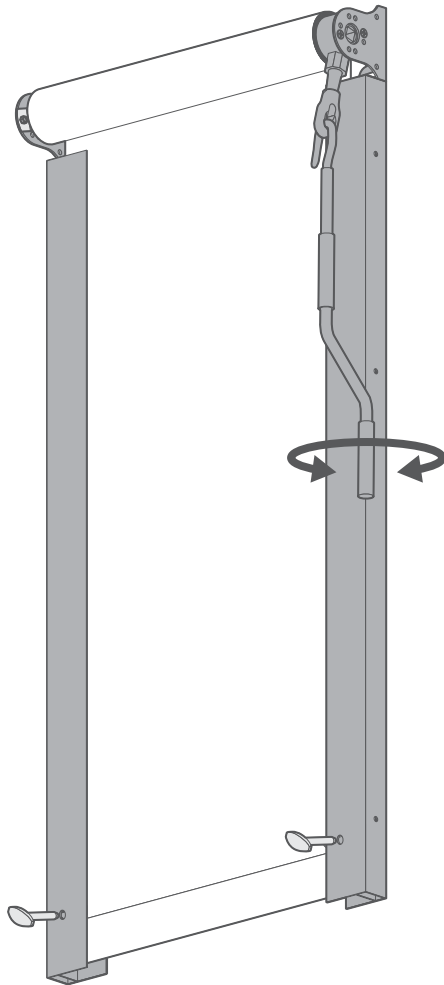


Use a pen or pencil to mark out where the screw holes will go - in theory these marks should line up with the marks you made on the wall originally, but it's best to do this again as you'll likely find after checking with your spirit level that the positions of the screw holes are a little different.

Next, remove the side channels, drill a hole at each mark and insert a rawl plug in each hole.

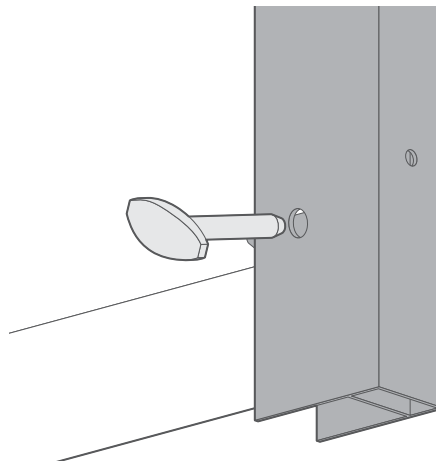
You can then replace the side channels and screw them firmly into place.





Use the crank handle to fully lower the blind, then insert a locking pin on each side.

Finally, use the crank handle to raise the bottom of the blind just a little, until it's tight against the locking pins.



### Top Tip

For orders containing 1 to 3 blinds, 1 crank handle will be supplied. For orders containing 4 or more blinds, 2 crank handles will be supplied. **We recommend removing the crank handle from any blinds whilst not in use.**

