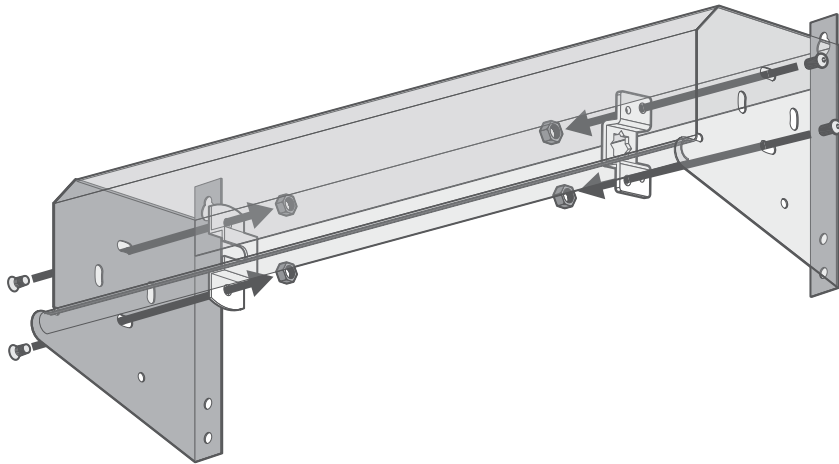


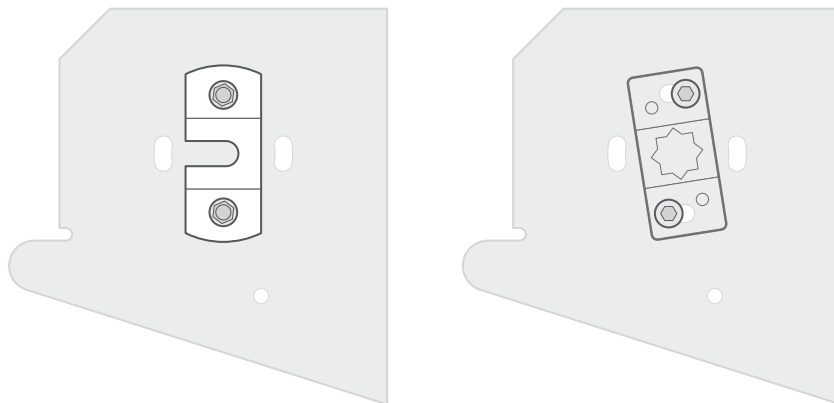
Mount the cassette

1



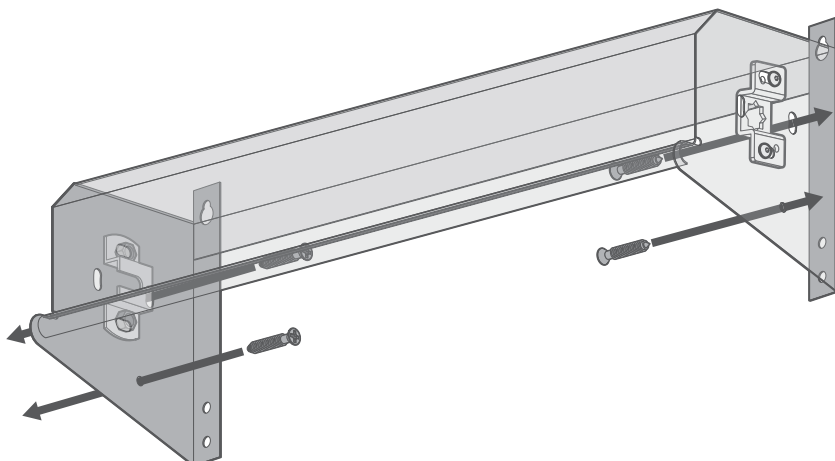
Mount the roller plates to the inside of the cassette, as shown. Use 2 nuts and bolts per plate.

Mount the roller plates on the inside of the cassette. The pin-end roller plate should have its notch facing the front of the cassette.

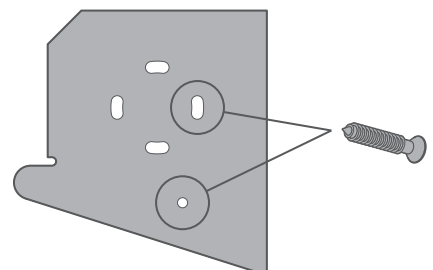


Attach the roller plates

2

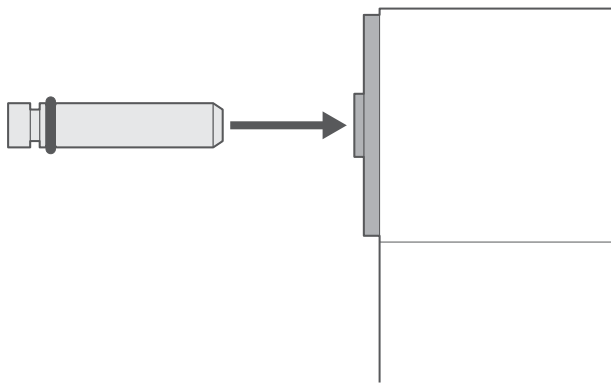


Use 4 screws to mount the cassette to the inside walls of the recess. The cassette will be the 'cover' for the blind.

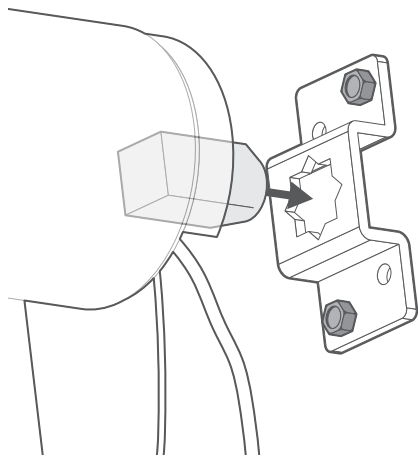


Fit the blind

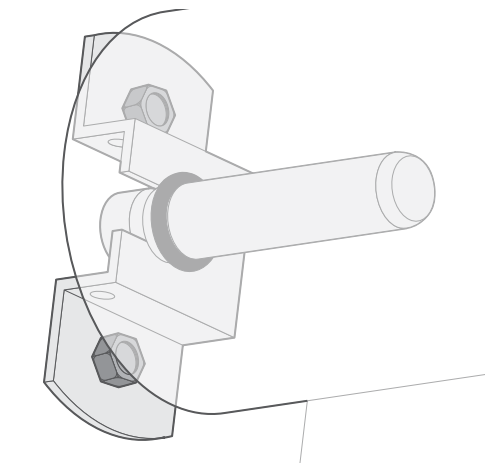
3



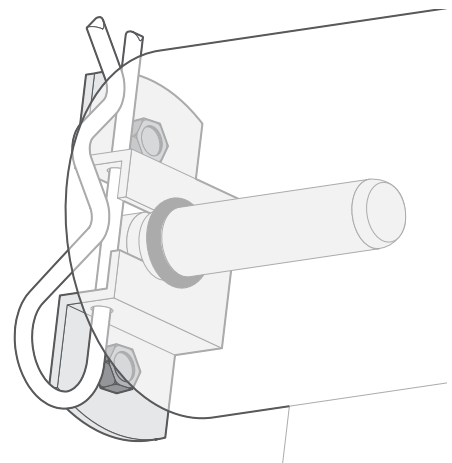
Start by inserting the roller 'pin' in the end of the blind opposite to the motor side. Note that the rubber 'O' ring on the pin should be resting inside the innermost of the two cutout sections.



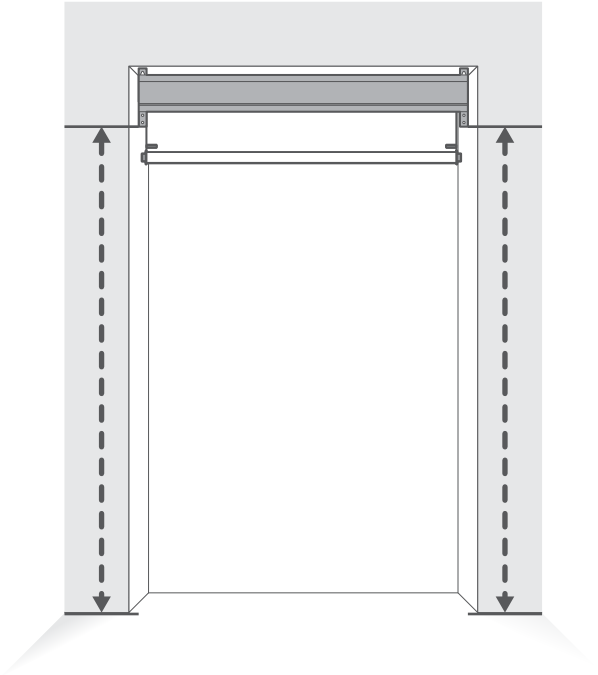
Now raise the blind up into the cassette and slot the square 'peg' on the motor side into the star-shaped slot in the roller plate.



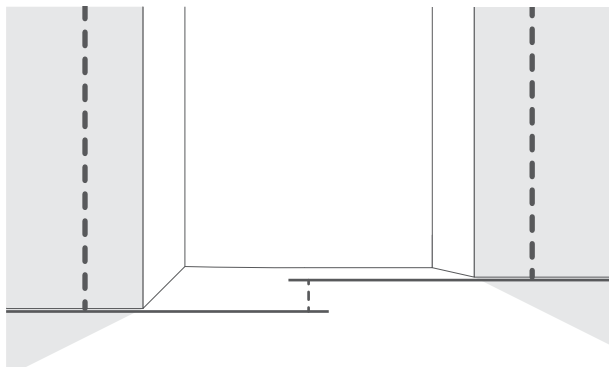
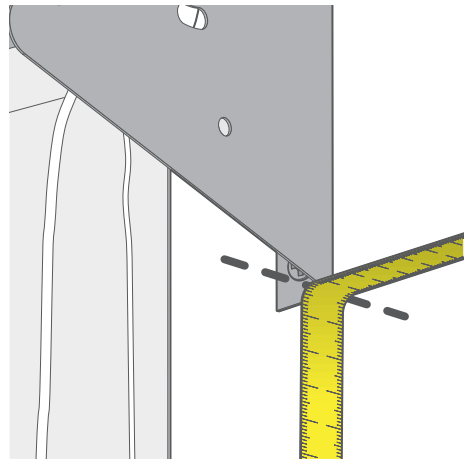
Raise the other end of the blind and slot the roller pin forward into the slot on the other roller plate. Insert the R clip by pushing it up into the holes on the side of the roller plate.



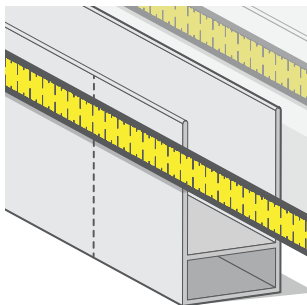
Measure and trim the side channels



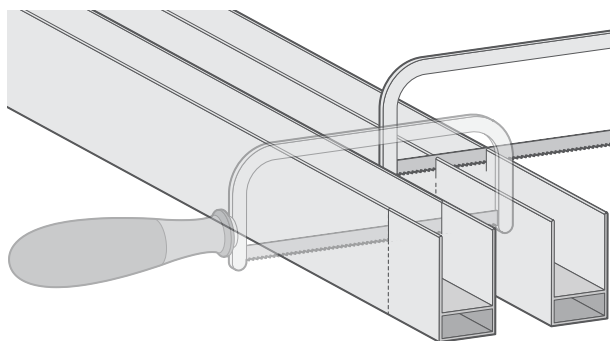
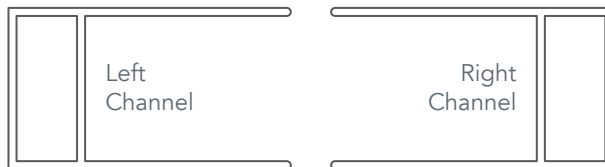
The side channels are provided to you longer than the drop you ordered, so that they can be trimmed to the perfect length. Measure for this by measuring up from the ground to the lowest edge of the cassette.



Make sure you measure each side separately, as the ground may be uneven, making one side higher than the other. Make a note of each length measurement.



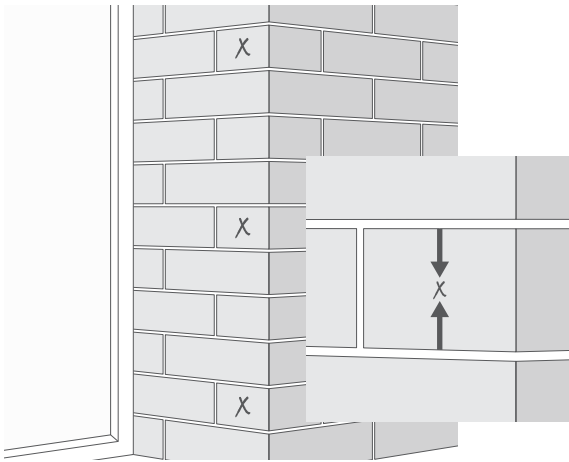
Mark the measurements out on the side channels, being sure to mark the correct channel with each.



Use a fine-tooth saw to neatly cut through each channel where you made your marks.

Install the side channels

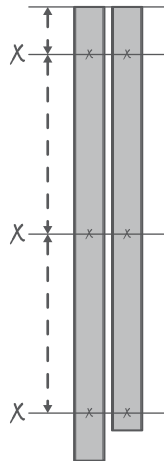
5



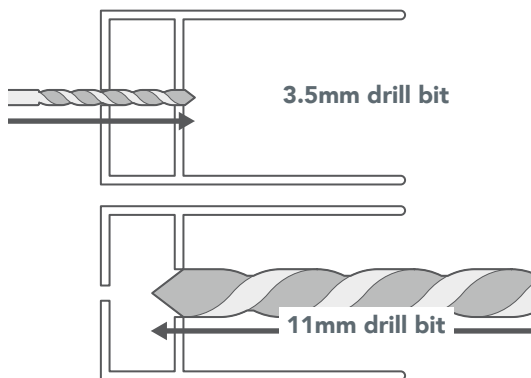
When you install the side channels you should really try to make sure you're screwing them into brick, not into the mortar between the bricks.

Find a solid location roughly 100mm down from where the top of the channel will be and make your first mark there. Measure roughly the same distance up from the ground and make the lowest mark there. Make a third mark roughly central between the two others.

What's most important is that the marks line up close to the centre of a brick, to provide the strongest hold possible once the channels are installed. Make a note of the distance between each mark, starting at the top of the channel and finishing at the ground.



Take these measurements and make matching marks on the insides of your side channels, being as accurate as possible with your measurements.



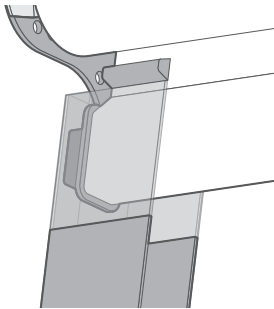
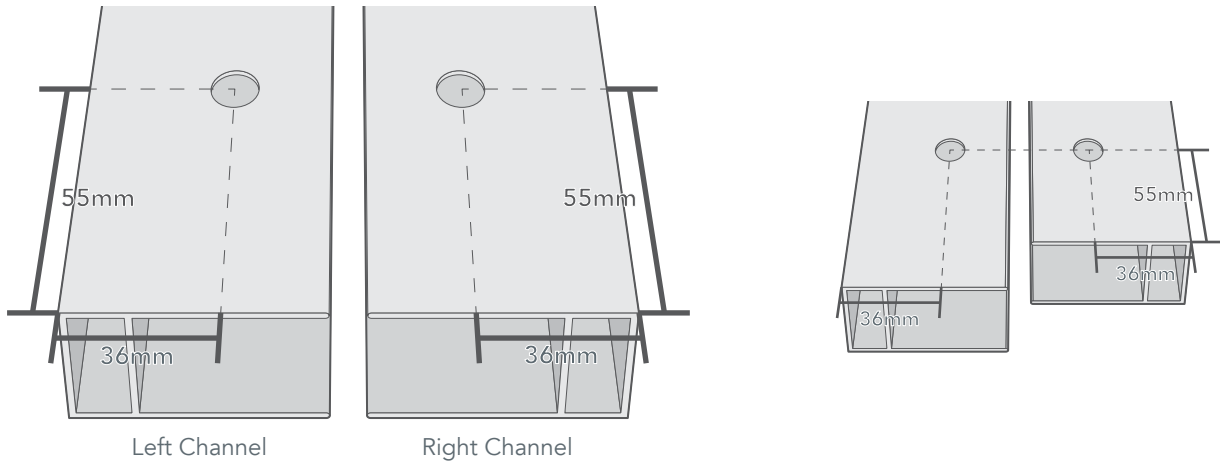
Now, drill a hole through the side channels at each mark.

Use a small (3.5mm) drill bit to drill through the channel. Drill right through both the outside and inside surfaces of the channel.

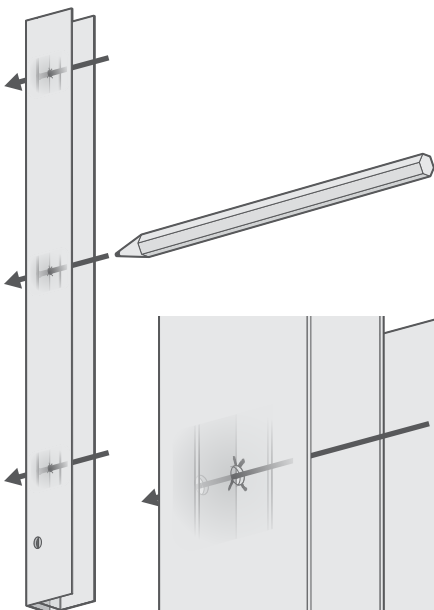
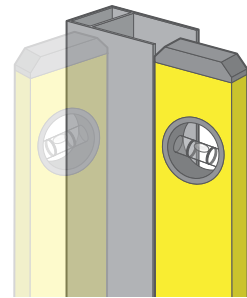
Then, use a larger (11mm) drill bit to widen the hole on the inside of the channel only.

Flip the channels onto their sides and drill a hole through the side of each, right the way through one side and out the other.

The hole should be roughly 11mm in diameter, and the centre of the hole should be 36mm in from the side of the channel and 55mm up from the bottom. The hole on one channel needs to be in line horizontally with the hole on the other channel, so if your channels are uneven lengths then mark out the measurements on the shorter channel first so that you can use it as a guide.



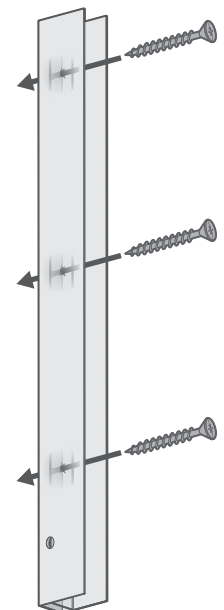
Take the side channels and feed the caps on the blind's bottom bar into the tops of the channels. Hold the channels in position and check them with a spirit level to make sure everything's straight.



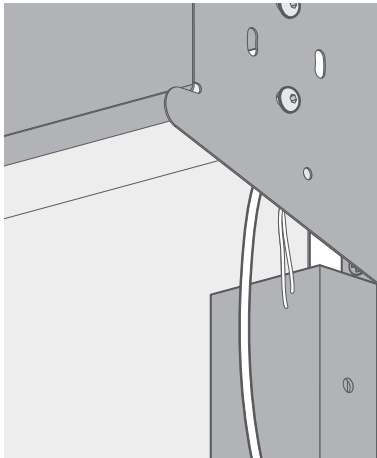
Use a pen or pencil to mark out where the screw holes will go - in theory these marks should line up with the marks you made on the wall originally, but it's best to do this again as you'll likely find after checking with your spirit level that the positions of the screw holes are a little different.

Next, remove the side channels, drill a hole at each mark and insert a rawl plug in each hole.

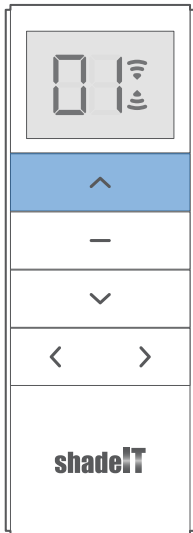
You can then replace the side channels and screw them firmly into place.



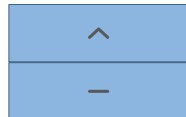
Connect the motor and set the limit points



The power lead is plugged into an external outlet, or into an extension cable running from inside.



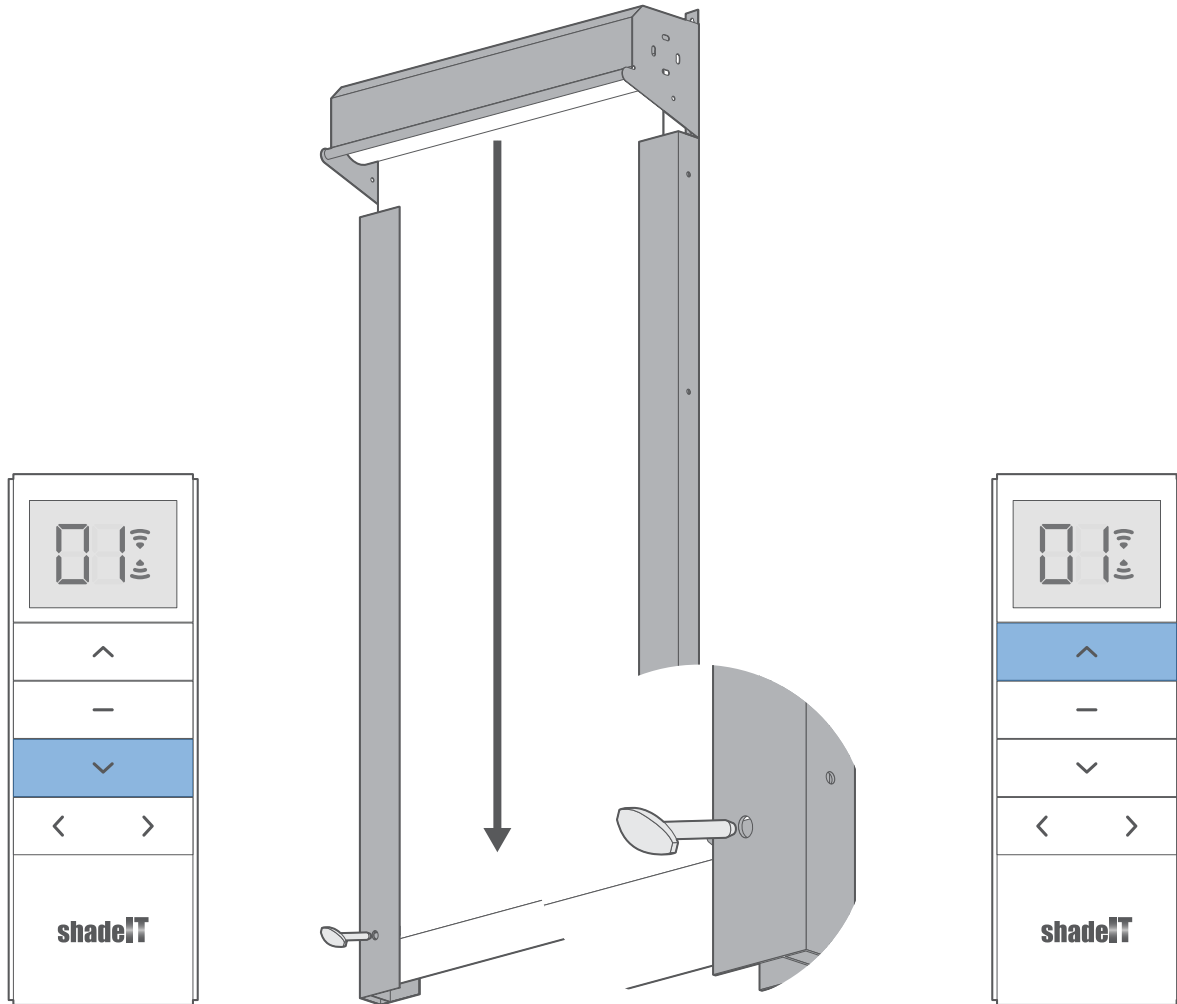
Use the up button to raise the blind until it's close to where you want your upper limit to be, then hit the stop button. Press the up button repeatedly until the blind is exactly where you'd like. To set the upper limit, press and hold both the up and stop buttons together. The blind will 'jog' a couple of times to acknowledge that the stop point is set.



To set the lower limit, hold the down button and let the blind lower. When it gets close to the bottom, press the stop button. Press the down button repeatedly to jog the blind down until the bottom bar rests on the ground. Press and hold the down and stop buttons together until the blind jogs again to acknowledge the lower limit point.



When you're done with using the blind for the day, you can lock it off and leave it nice and taut, ready to use again next time.



Use the remote to lower the blind. Allow it to lower until it reaches the lower limit point you set before.

Insert the plugs into the bottom of the side channels.

Use the remote to raise the blind - the plugs will prevent it from raising any further, leaving the fabric neat and taut.