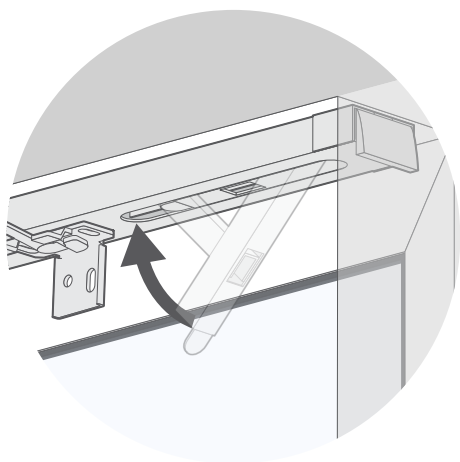
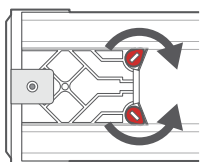


Fitting the blind

1

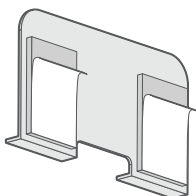


Hold the Click2Fit™ rail up against the top of the recess, then push the lever firmly upwards until the rail snaps into place. If the rail is a little too tight, or after fitting you find that it's too loose, then this can be easily adjusted:

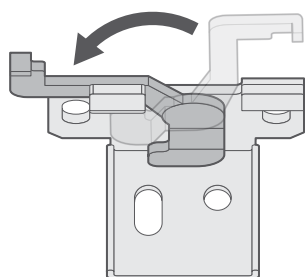
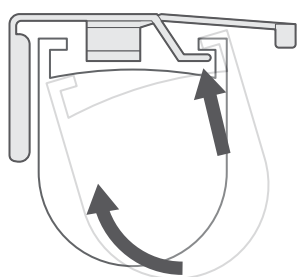
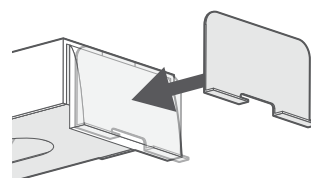


At the end of the rail opposite to the lever there is an adjustment block that allows you to fine-tune the fitting of the rail. Use a flat-head screwdriver to twist the small red plugs **in** toward the centre of the rail. Slide the block out of the rail by a few millimetres to tighten the fitting, or push it back into the rail to loosen. Then, twist the red plugs back into their original position to fix the block in place. **Make small adjustments only**, repeating as necessary for a tight fit.

Friction plates are provided with the fittings, but these are only necessary if you find that the Click2Fit™ rail slips against the wall of your recess once the blind is fitted.



To fit them, peel the covers from the sticky pads on the back, then stick one to each end of the Click2Fit™ rail, as shown.

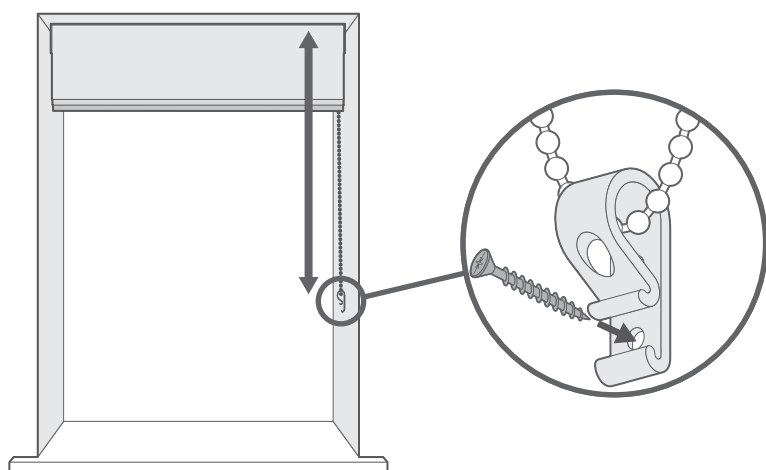


The brackets will be pre-fitted to the Click2Fit™ rail, so you'll just need to fit the blind into these brackets.

Hook the front lip of the headrail over the protruding hooks at the front of the bracket, then raise the back of the headrail so that it's level. Holding it in this position, swing the swing-arm over and press it firmly against the headrail to lock it in place.

Child Safety

2



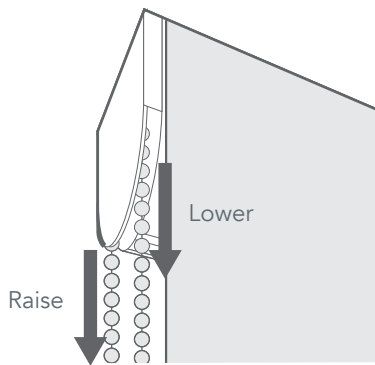
The cord retaining device must be installed at the maximum distance possible from the control mechanism to prevent looped cords from becoming slack.

Place the retaining device on the wall and mark the position of the screw hole(s) with a pencil.

Attach the retaining device to the wall using the fixings provided.

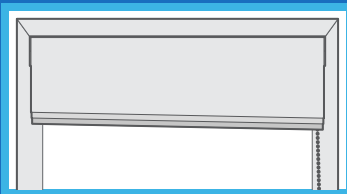
Operating the blind

4



Pull down on the front part of the chain to lower the blind, and pull down on the rear part of the chain to raise the blind.

Top Tip

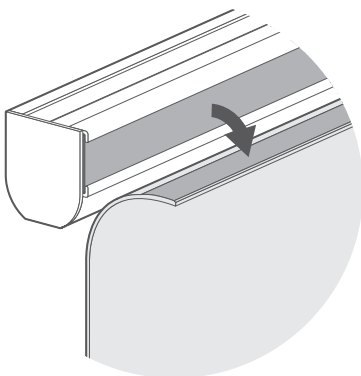


If you find at any point that the blind has fallen to one side, the likelihood is that this has been caused by a simple mix-up with the controls, in that they may have been pulled the wrong way to either raise or lower, which can cause the cords to roll up unevenly. To fix this, simply use the front of the chain to fully lower the blind, then continue pulling the chain until it raises to the top. The blind should even itself out as you do, and you can prevent the same issue occurring again by making sure the chain is always pulled in the correct direction from that point forward.

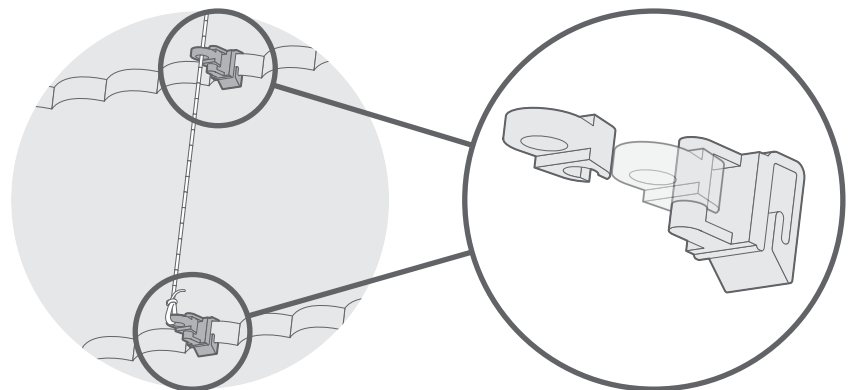
Additional Information

Removing the fabric for cleaning

If you need to remove the fabric, to take it to a dry-cleaner for example, then that's easy.



The fabric attaches at the front with velcro, simply peel the fabric away from the headrail.



At the back, the cords attach to the fabric using clips, which double as a child-safety feature. These clips are in two parts, and can be easily unclipped to separate the cords from the fabric.