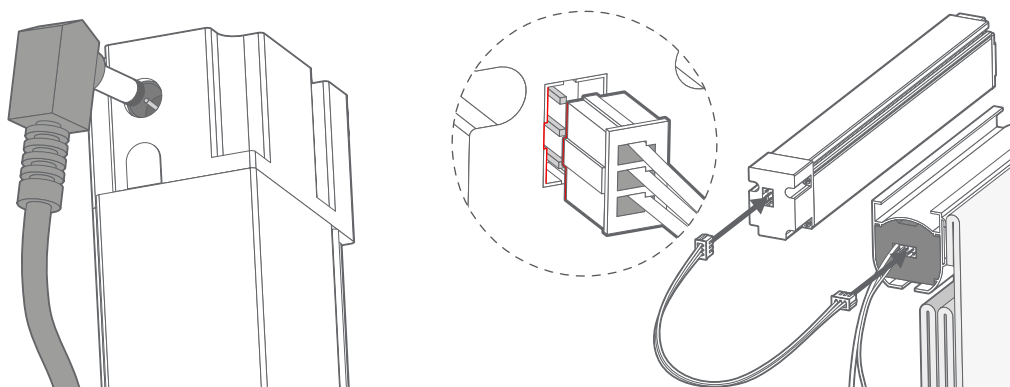


If you do not have a SmartView Roman Blind, please skip to page 2.

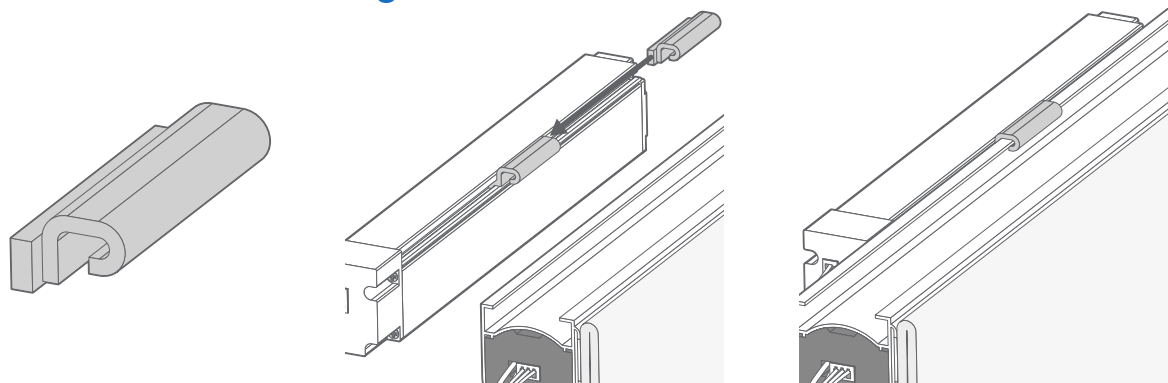
Installing the battery pack (SmartView Roman Blinds only)

1



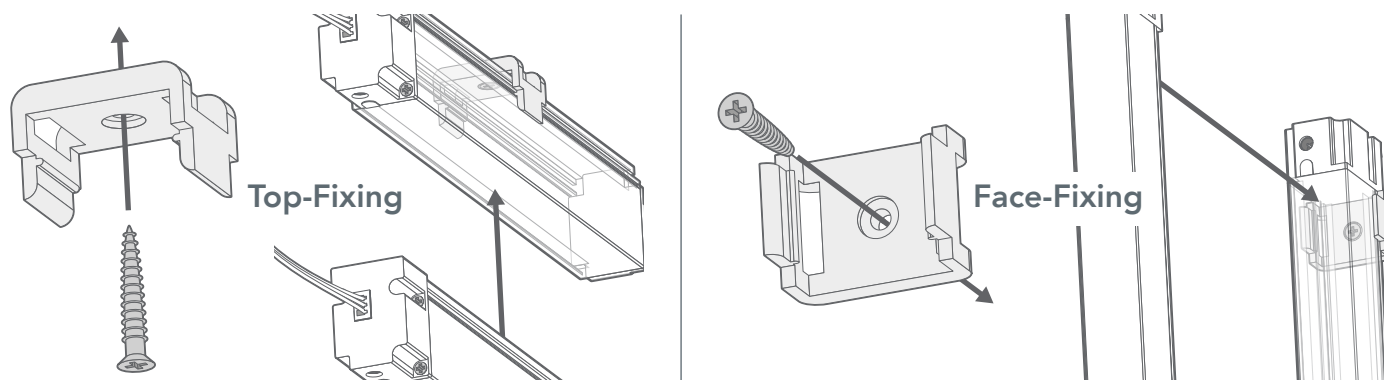
We recommend charging the battery pack before you begin to use the blind, to ensure it starts with a full battery. Use the charger plug included - the LED on the charger plug will turn green when the battery pack is fully charged. When the battery pack is charged, hook it up to the blind's motor using the motor cable.

Blinds ordered as 'recess fitting'



Use the 'hook' brackets from the fittings kit to hang the battery pack onto the back of the blind's headrail, as shown.

Blinds ordered as 'exact fitting'



If there is not enough space behind the headrail to hang the battery pack, then it can be fixed to another surface using the 'clip' brackets provided. The clip brackets can be either top-fixed or face-fixed.

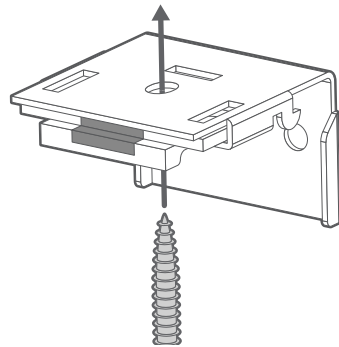
If you upgraded to Click2Fit, please skip to page 3.

Fitting the brackets (not applicable for Click2Fit Roman Blinds)

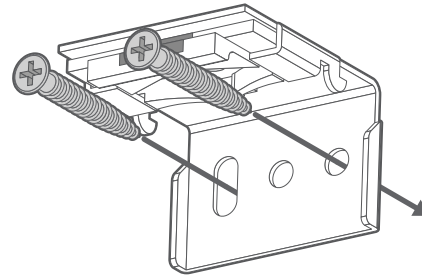
2

The brackets offer two methods of installation:

Top-Fixing



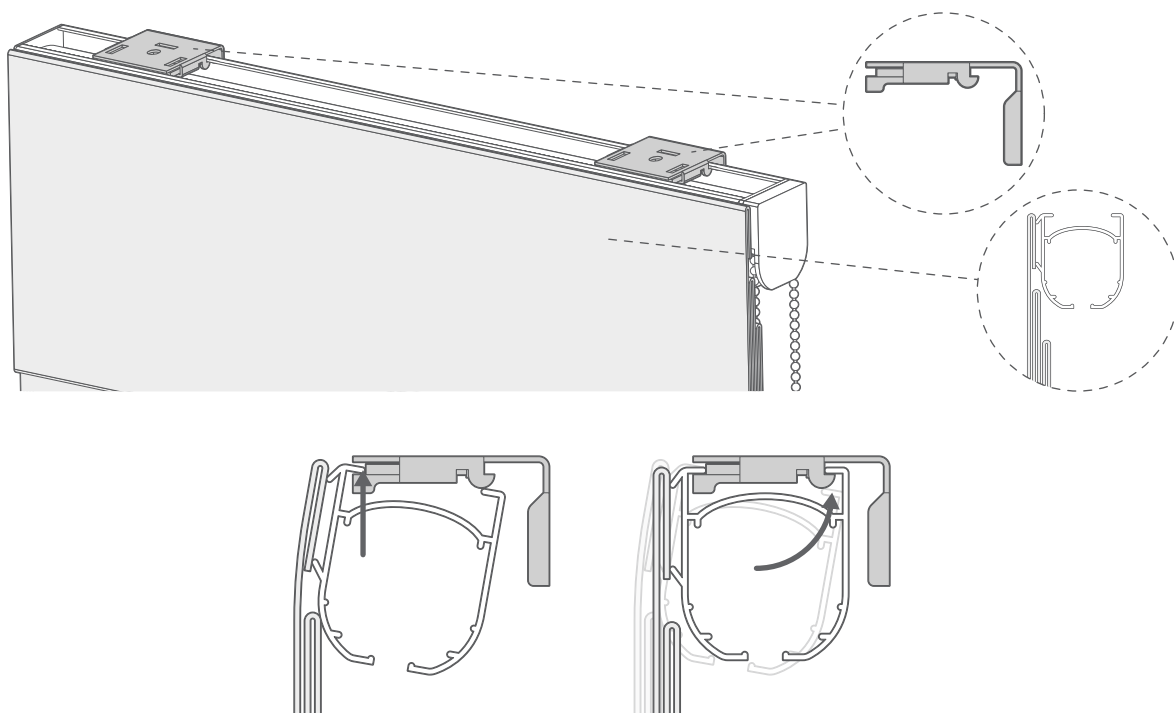
Face-Fixing



If there is not enough space behind the headrail to hang the battery pack, then it can be fixed to another surface using the 'clip' brackets provided. The clip brackets can be either top-fixed or face-fixed.

Fitting the blind (not applicable for Click2Fit Roman Blinds)

3

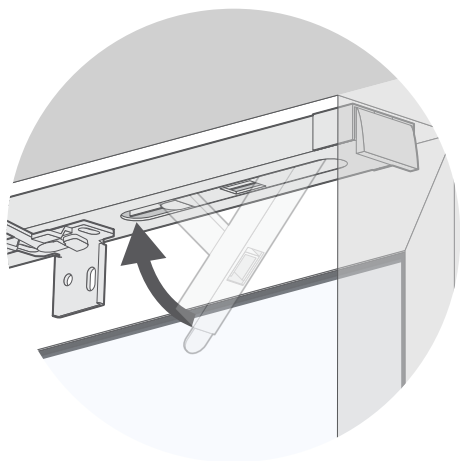


Hook the front lip of the headrail onto the front 'hook' of the bracket. Then push the rail against the bracket and raise the back up until the rear lip of the headrail snaps onto the rear hook of the bracket.

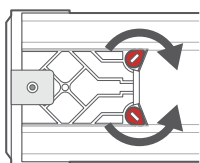
If you have a standard or SmartView Roman Blind, please skip to page 4.

Fitting a Click2Fit Roman Blind

4

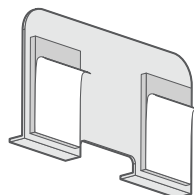


Hold the Click2Fit™ rail up against the top of the recess, then push the lever firmly upwards until the rail snaps into place. If the rail is a little too tight, or after fitting you find that it's too loose, then this can be easily adjusted:

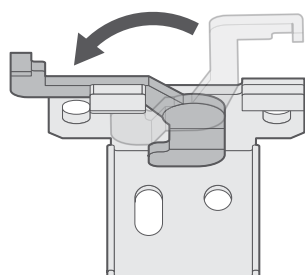
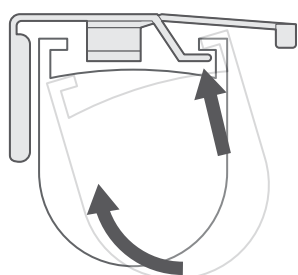
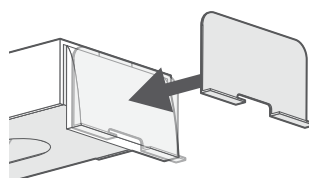


At the end of the rail opposite to the lever there is an adjustment block that allows you to fine-tune the fitting of the rail. Use a flat-head screwdriver to twist the small red plugs **in** toward the centre of the rail. Slide the block out of the rail by a few millimetres to tighten the fitting, or push it back into the rail to loosen. Then, twist the red plugs back into their original position to fix the block in place. **Make small adjustments only**, repeating as necessary for a tight fit.

Friction plates are provided with the fittings, but these are only necessary if you find that the Click2Fit™ rail slips against the wall of your recess once the blind is fitted.



To fit them, peel the covers from the sticky pads on the back, then stick one to each end of the Click2Fit™ rail, as shown.

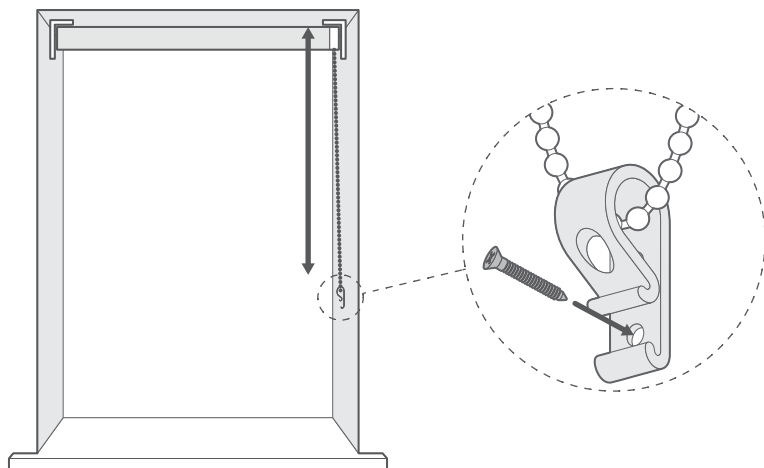


The brackets will be pre-fitted to the Click2Fit™ rail, so you'll just need to fit the blind into these brackets.

Hook the front lip of the headrail over the protruding hooks at the front of the bracket, then raise the back of the headrail so that it's level. Holding it in this position, swing the swing-arm over and press it firmly against the headrail to lock it in place.

Child Safety

Safety cleat (not applicable for SmartView Roman Blinds)



The cord retaining device must be installed at the maximum distance possible from the control mechanism to prevent looped cords from becoming slack.

Place the retaining device on the wall and mark the position of the screw hole(s) with a pencil.

Attach the retaining device to the wall using the fixings provided.



Young children have died by wrapping loose curtain and blind cords or chains around their necks.



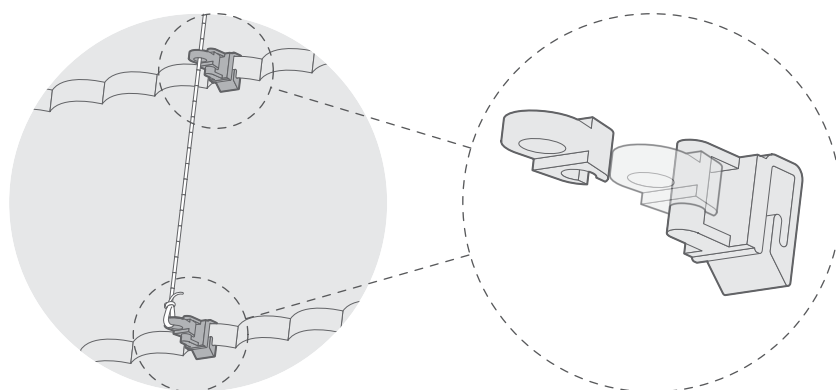
Secure cords or chains with cord guides or keep them out of reach by winding them around a cleat.

Move cots and furniture away from window covering cords or chains.

Do not remove this label.

WARNING: To avoid creating a possible strangulation hazard for children, the corded internal window covering must be installed in such a way that a loose cord cannot form a loop 220mm or longer at a height of less than 1600mm above floor level.

Cord retaining clips (applicable to all Roman Blinds)



The cords that raise and lower the fabric are attached to the back of the fabric using two-piece clips. These are a child-safety feature and are designed to separate if anything gets caught in the cords at the back.

These can also be easily unclipped if you need to detach the fabric, to take it to a dry cleaner for example.

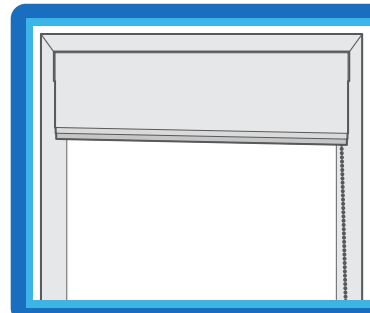
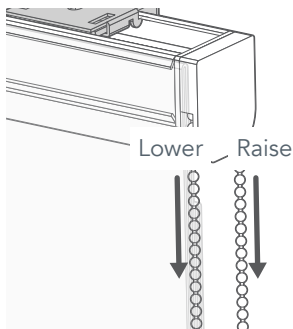
Additional information

The SmartView App (SmartView Roman Blinds only)



On the front of the swing tag that comes with your blind, you'll find a handy QR code you can scan with your phone. Scan this to download the SmartView app, and the app will guide you through the rest - you'll be setting up your blinds in moments!

Operating your blind (not applicable for SmartView Roman Blinds)



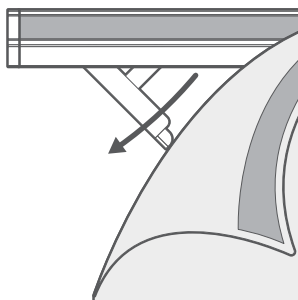
Top Tip

If you find at any point that the blind has fallen to one side, this is usually caused by a simple mix-up with the controls. To fix this, simply use the front of the chain to fully lower the blind, then continue pulling the chain until it raises to the top. The blind should even itself out as you do, and you can prevent the same issue recurring by making sure the chain is always pulled in the correct direction.

Pull down on the front part of the chain to lower the blind, and pull down on the rear part of the chain to raise the blind.

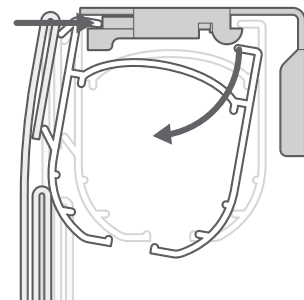
Taking the blind down

Click2Fit Blinds



Peel the fabric away from the rail to expose the lever. Using a screwdriver, gently pry the lever downward until you can fully loosen it - make sure you're holding the blind steady as you do this, and that your hand is not close to the lever.

Standard & SmartView Blinds



Push the rail back against the brackets and at the same time gently 'twist' the rail so that you're pulling the back of it downwards. This will unhook the rail from the rear hook on the bracket and allow you to remove the blind.