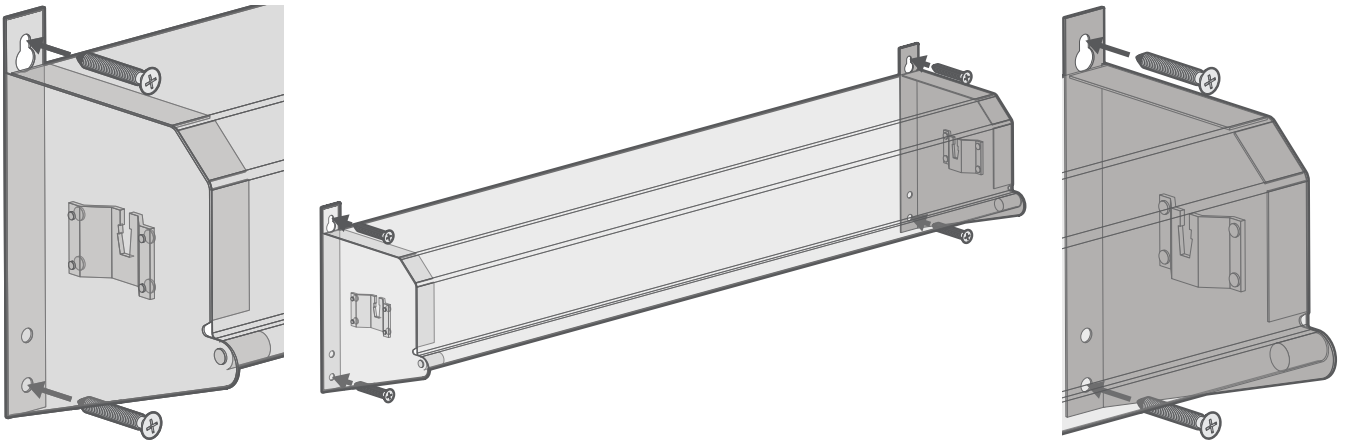


Mount the cassette

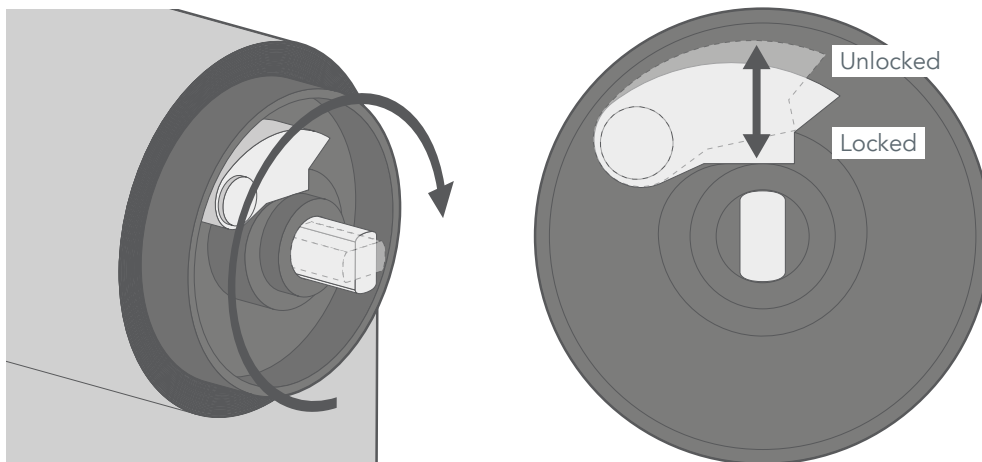
1



Use the top and bottom screw holes on the back of the cassette to face-fix the cassette to the wall.

Tension the blind's spring-loaded mechanism

2



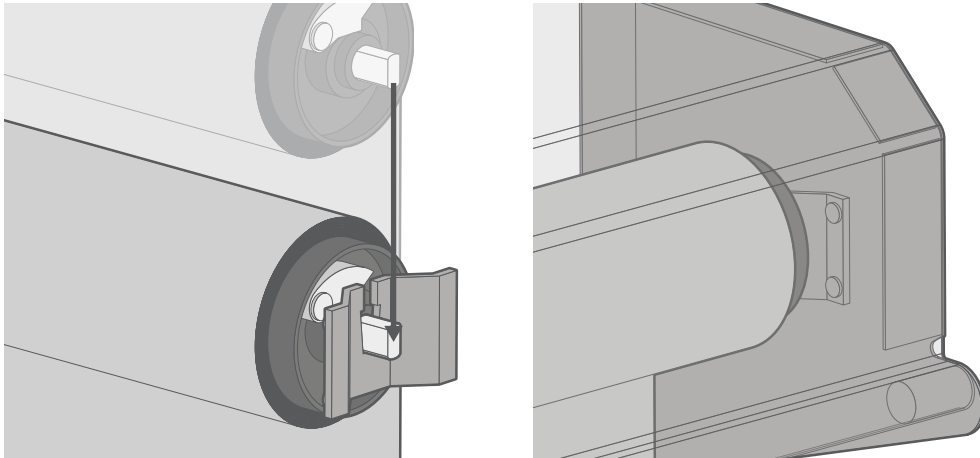
Hold the blind tightly and use a 10mm socket to turn the spring pin clockwise.

As the pin turns, the locking latch will lift, then at the end of a full turn it will drop and lock the pin from turning back the other way. Keep turning the pin until you feel significant tension in the mechanism; this will usually take around 10 full turns.

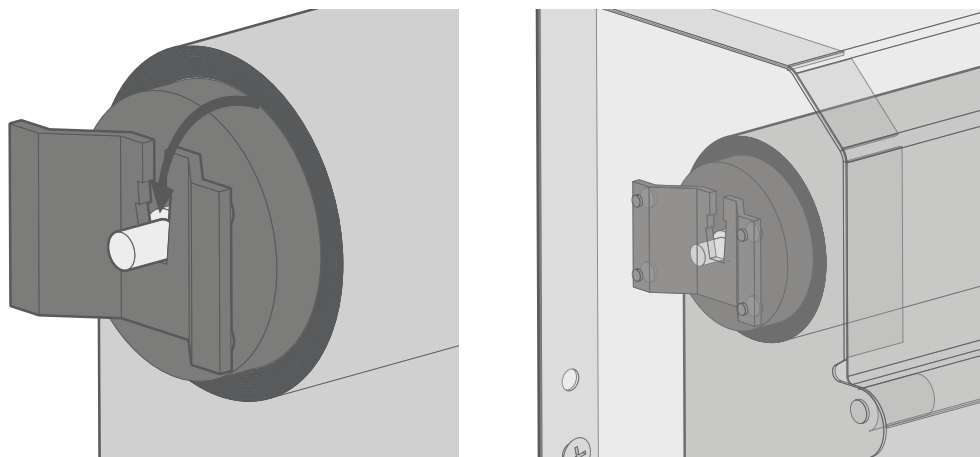
Ensure that the latch is in its locked position before releasing the spring pin.

Fit the blind into the cassette

3



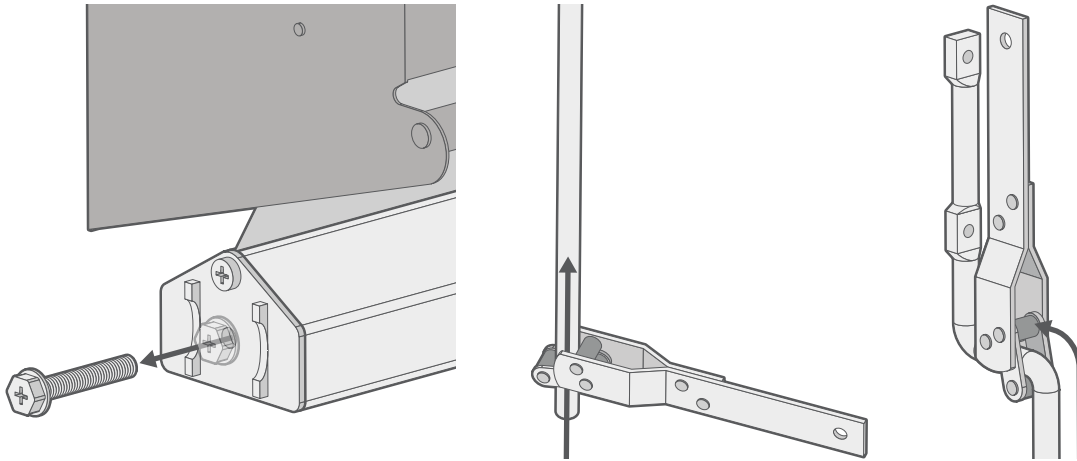
Lift the blind up into the cassette and slot the spring pin into the plate on the inside of the cassette. Be careful not to turn the blind as you do so, as this may allow the locking latch to drift into its unlocked position and release the tension in the spring mechanism.



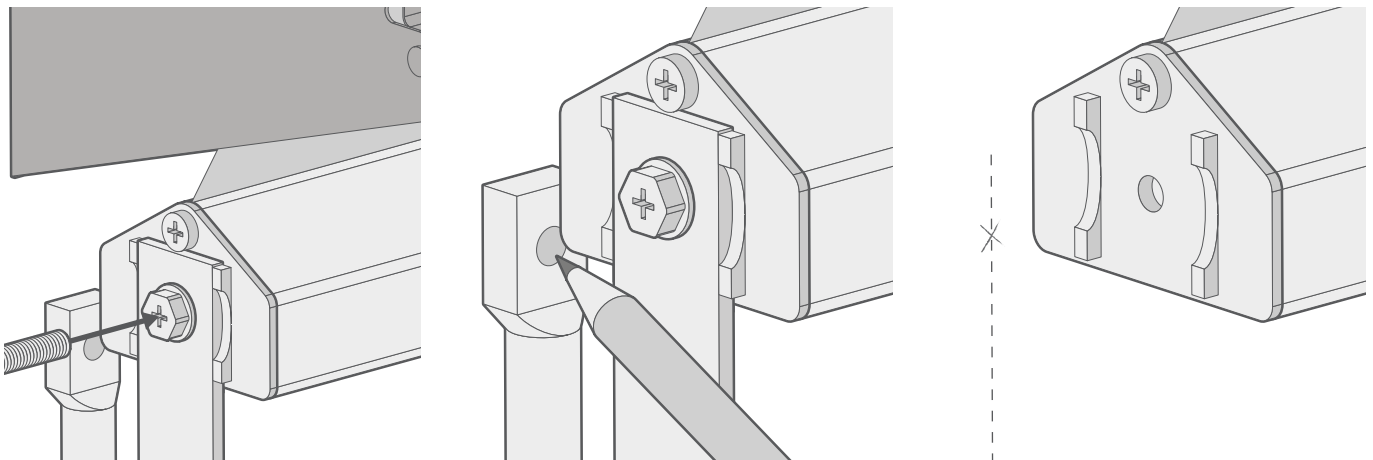
Lift the other blind into place and slot the roller pin into the other plate.

Locate & trim the guide bars

The easiest way to correctly locate the best position for the guide bars is to use the blind as a guide:



Unscrew and remove the hex nuts from the ends of the bottom bar and put them safely to one side for now. Take the side runners and feed them onto the bottom of the guide bars, then slide them up until they turn and face vertical, near the top of the guide bars.



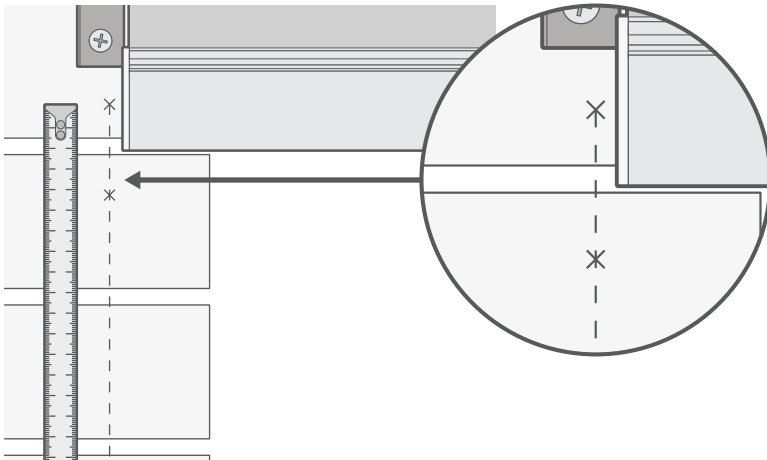
Attach the guide runners to the ends of the bottom bar using the hex nuts you removed. Hold the guide bars up against the wall, as close to the underside of the blind's cassette as possible, and mark the position of the screw holes in the guide bars. You now have an accurate centre line for the guide bar screw holes.

Top Tip

Hold a spirit level against the guide bars to ensure they're straight as you're marking their positions.

Install the guide bars

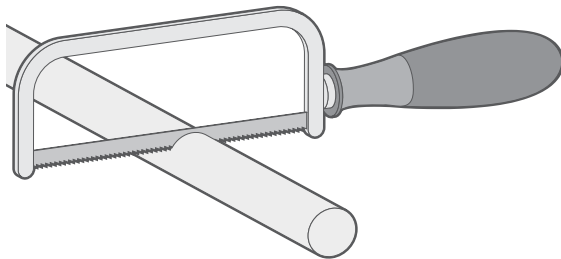
5



Check that your marks line up with a solid and stable surface; if you're fitting into masonry, ensure that your screw holes are going to be drilled into brick, not the mortar between them.

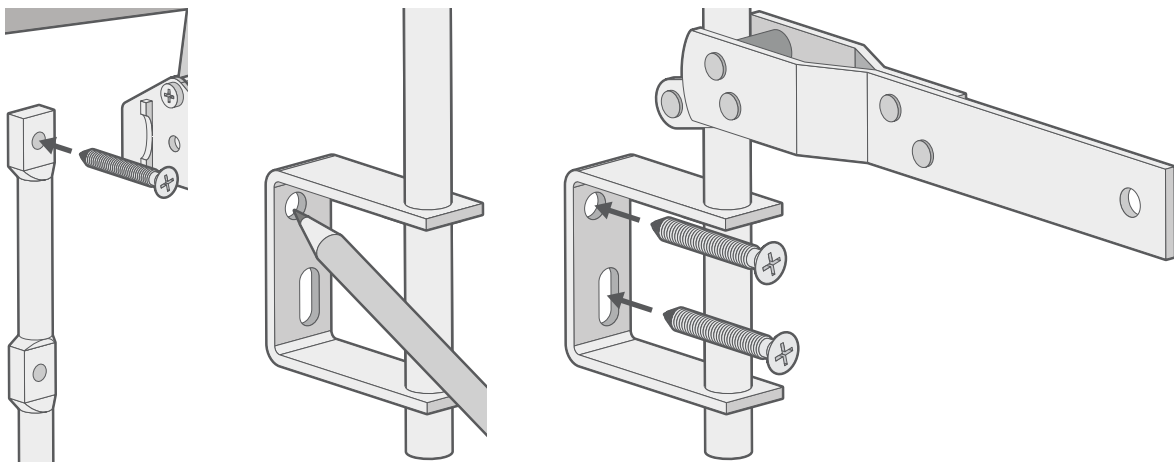
You can move your marks downwards a little to ensure this is the case.

When you're happy with the positioning of your marks, measure from the top mark, down to where you'd like the blind to finish when lowered.



The guide bars are intentionally sent longer than required, so that they can be trimmed to the perfect length.

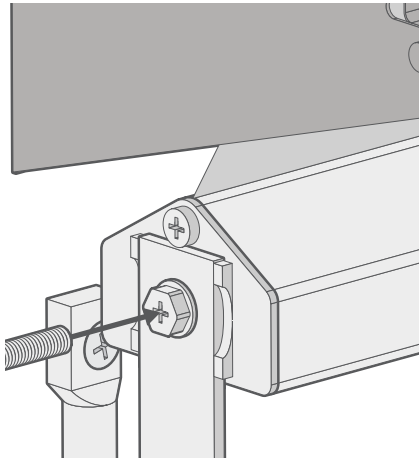
Use a fine-tooth saw to shorten the bars to the length you just measured.



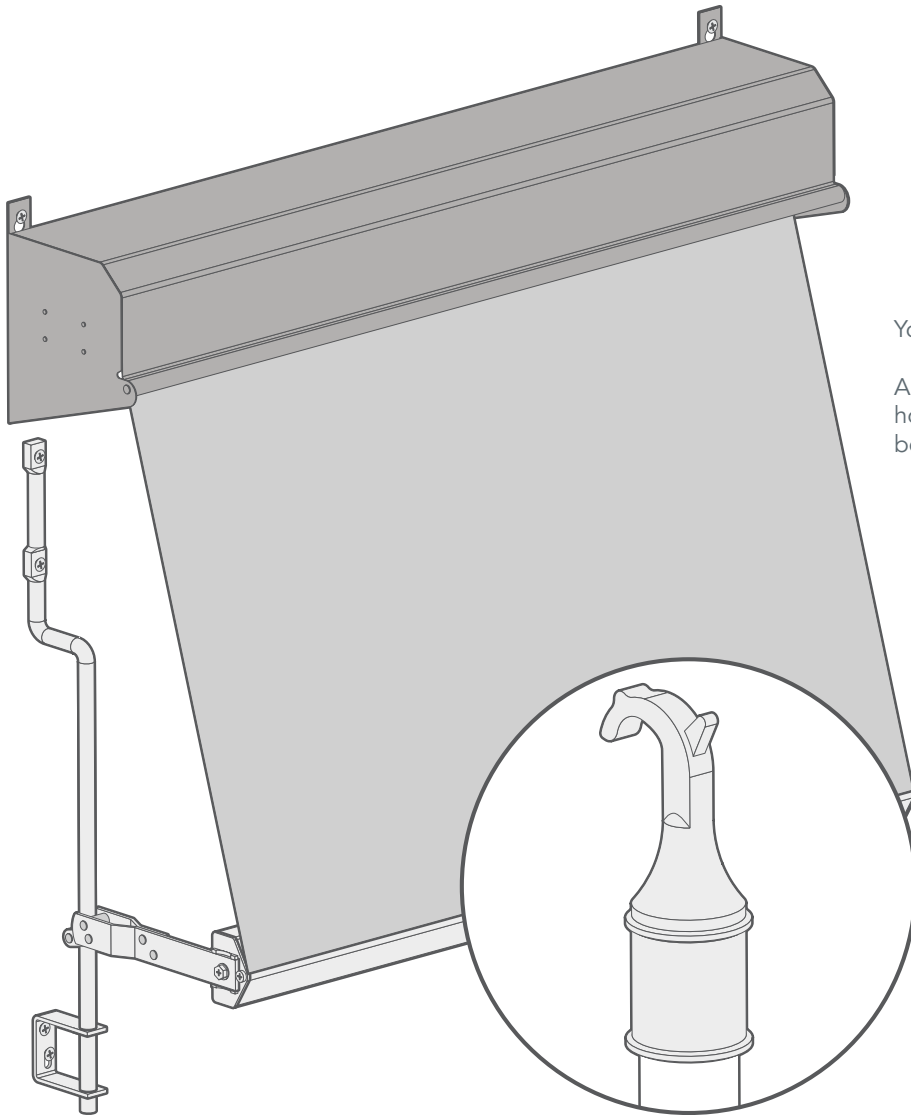
Use a hammer drill to make screw holes where you made your final marks, then fit the bars in place using the plugs and screws provided. Fit just the top screw for now, loosely enough that the bar can swing from side to side at the bottom.

Next, slide the U-brackets onto the bottom of the guide bars and mark out their screw holes. Again, use a hammer drill to drill the screw holes (you can swing the guide bar out of the way while you do this). Finally, slide the side runners, then the U-brackets, onto the guide bars and screw the U-brackets into place. You can also now pop a screw into the lower hole at the top of the guide bar to fix it securely in place.

Final fittings and operation



Attach the side runners to the blind's bottom bar, just as you did in step 4.



Your blind is now installed and ready to use.

A control wand is supplied for you; use the hook on the wand and ring on the blind's bottom bar to raise and lower the blind.