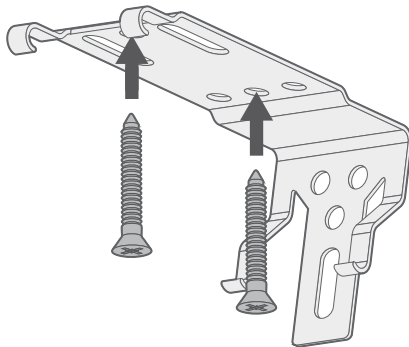


Fitting the brackets

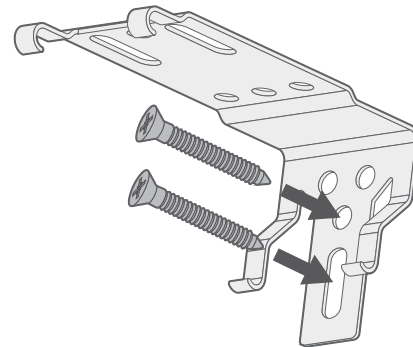
1

The brackets offer two methods of installation:



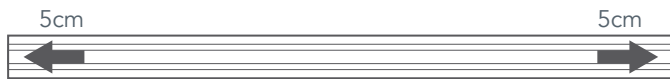
Top-Fixing

Use two holes in the top of the bracket to mount the bracket to a ceiling or lintel.



Face-Fixing

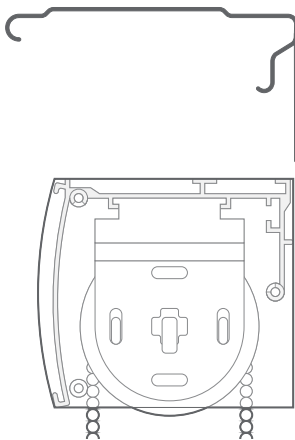
Use two holes in the back of the bracket to mount the bracket onto a wall or window frame.



Note that the position of the outermost brackets should be at least 5cm away from the ends of the rail, with any other brackets evenly distributed across the width.

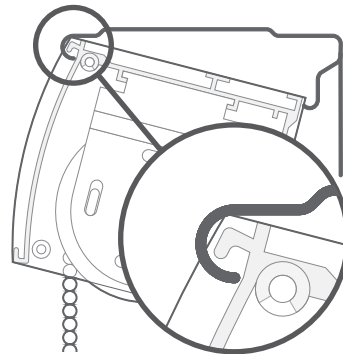
Fitting the blind

2

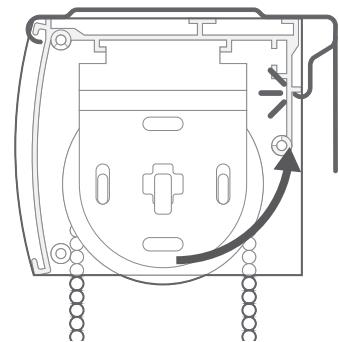


Bracket
(side-on)

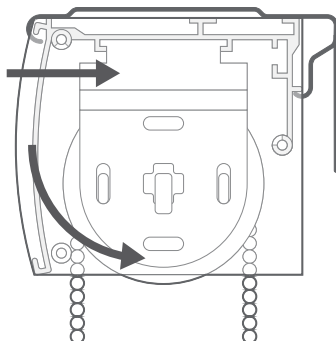
Blind
(side-on)



Holding the rail at an angle, situate the front lip of the cassette into the front lip of the bracket.



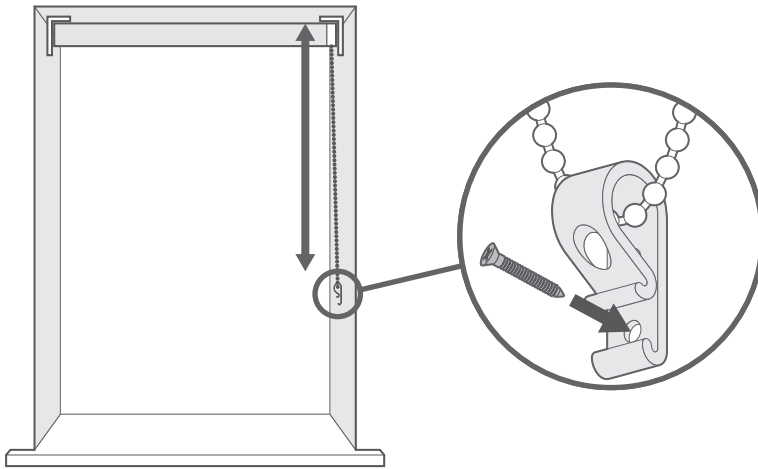
Twist the back of the cassette upwards until it snaps into place against the back lip of the bracket.



To release the blind from the brackets at any point after installing, push firmly against the front of the cassette to release it from the front lip of the bracket. At the same time, twist the front of the cassette downwards, this will release the blind from the bracket.

Cord Tensioner

Child Safety



The cord retaining device must be installed at the maximum distance possible from the control mechanism to prevent looped cords from becoming slack.

Place the retaining device on the wall and mark the position of the screw hole(s) with a pencil.

Attach the retaining device to the wall using the fixings provided.