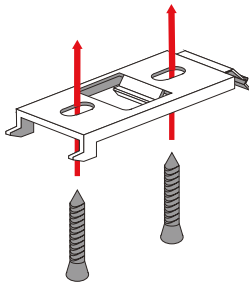


1

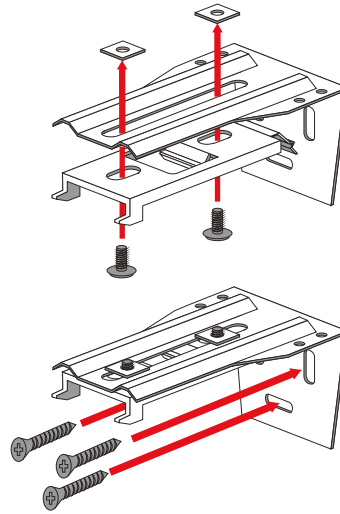
Fitting the brackets

Top-Fix



Fix the brackets to the ceiling or the underside of the lintel using two screws. Place the brackets evenly along the width of the track to offer support.

Face-Fix



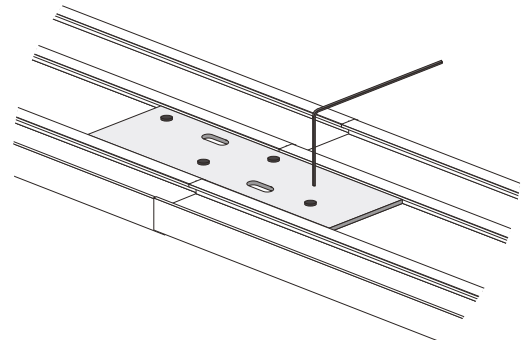
For face fixing, assemble the unit by attaching the bracket to the 'L' shaped plate.

Fix the assembled bracket to the facing wall or window frame using three screws per bracket. Position the brackets evenly along the width of the track.

Joining tracks

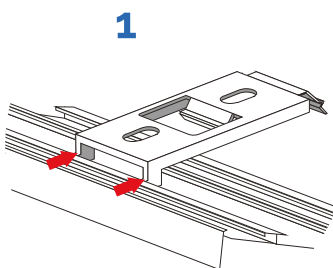
2

If your panel blind is wider than 2900mm wide, the track will be in two sections. Use the joining plate to secure the two parts. Slide the plate into the central groove on the top of the tracks ensuring that it evenly spans both tracks. Use the hex key to tighten the grub screws to lock the two tracks together.

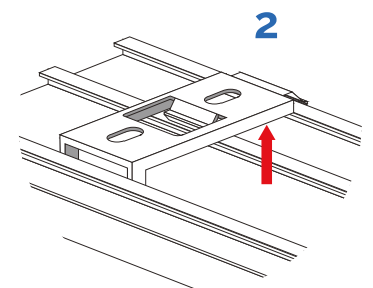
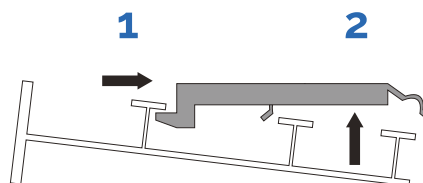


Installing the track

3



Rest the track on the front prongs of the bracket, they locate on the first rib along the top of the track.



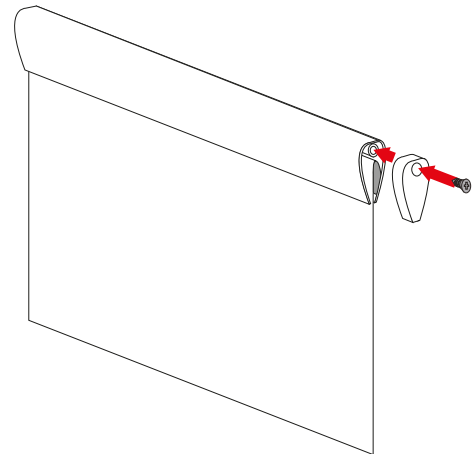
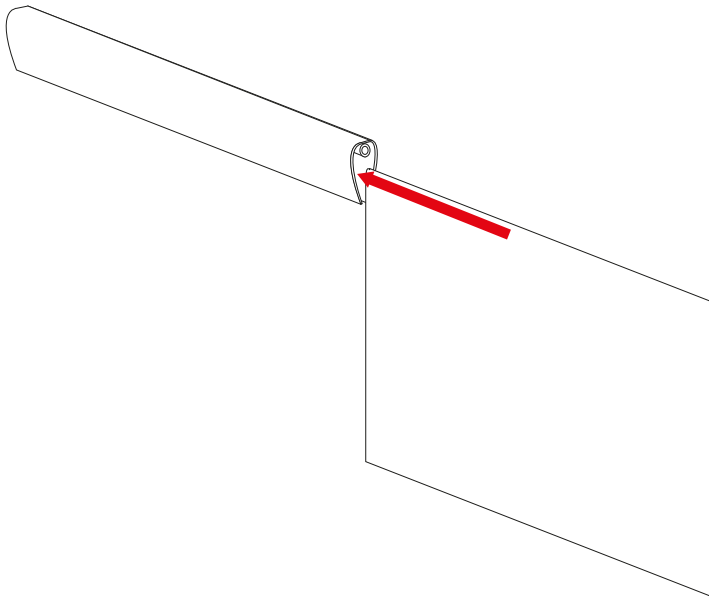
Push the back of the track upwards until you hear a click as the bracket locks onto the rear two ribs of the track.

Hanging the panel fabric

4

Slide the fabric into the open groove on each runner until it reaches the cap at the opposite end.

Push the end cap onto the runner to lock the panel in place and secure the end cap with the small screw.



Attach the wand

5

To complete the installation, hook the operating wand through the circular hole on the lead (front) panel.

If your panel blind has a split stack arrangement, you will have two wands. The second wand will attach to the lead panel on the right hand set of panels.

